

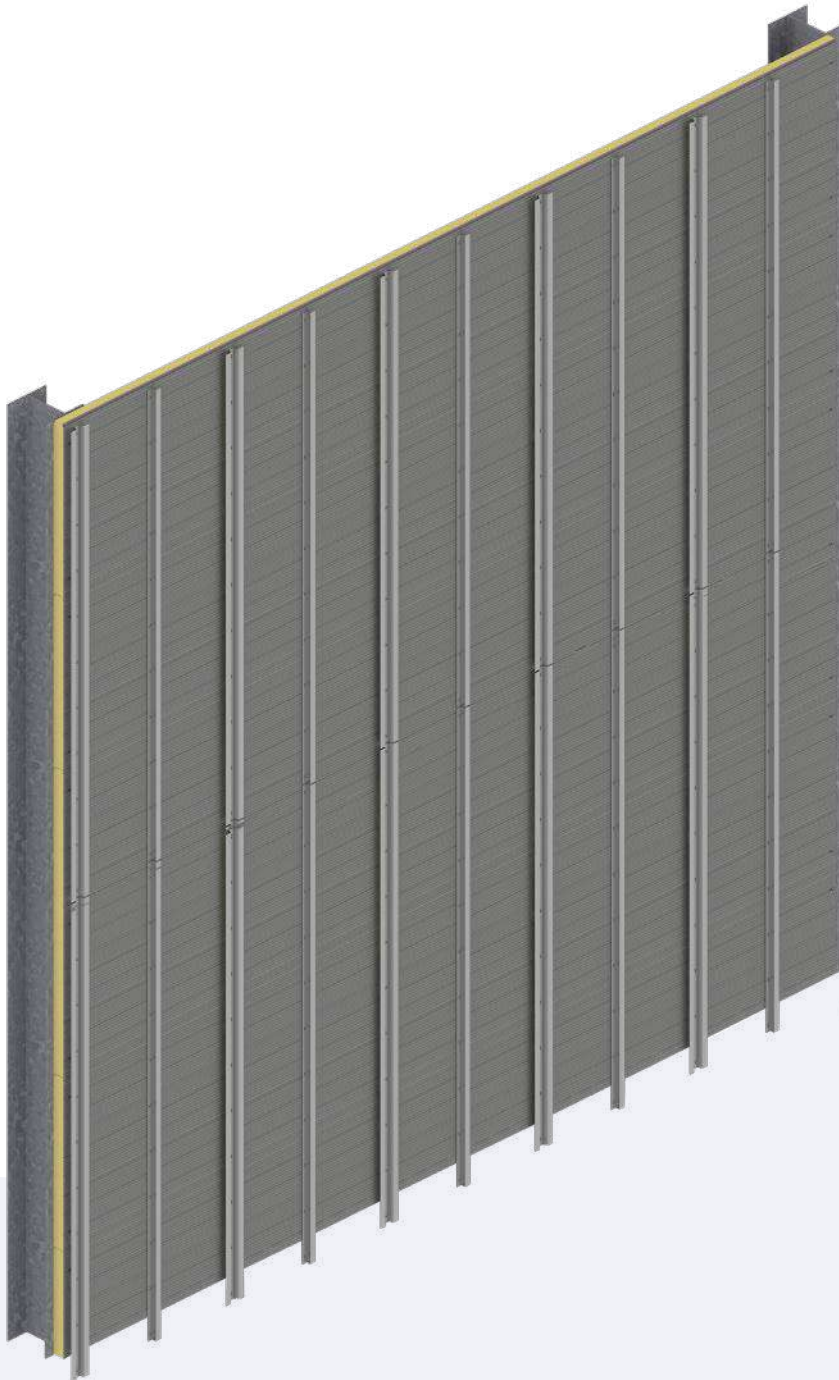
CONSTRUCTION PRINCIPLE

C 037 - Vertical

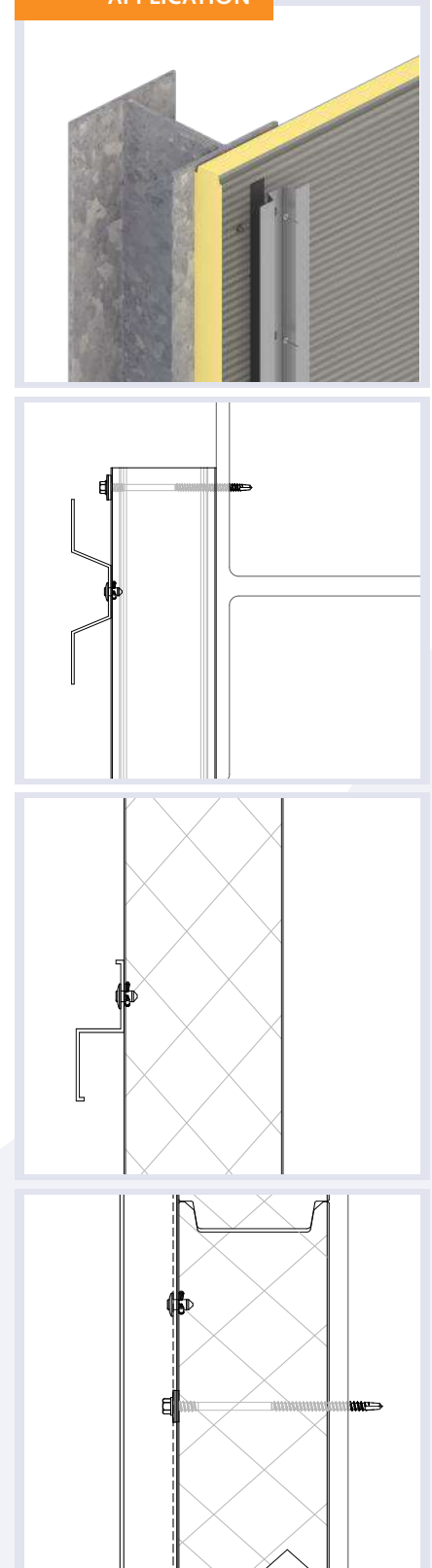
Construction principle to allow facades constructed of wooden or steel sandwich panels (carrier) to have an aesthetic facade finish.

Characteristics:

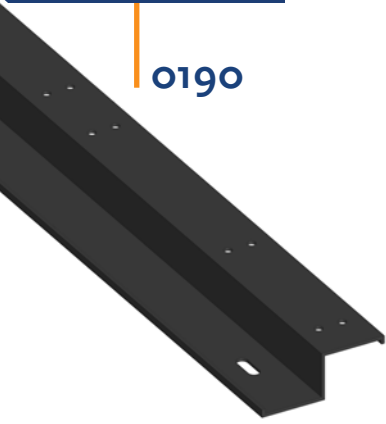
- Main load-bearing structure consisting of a wooden or a steel sandwich element.



APPLICATION



0190



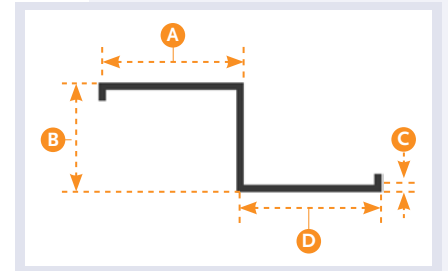
Z-PROFILE

Aluminium Z profiles.

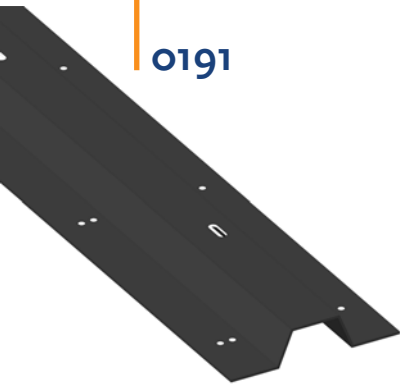
A (MM)	B (MM)	C (MM)	D (MM)	L (MM)
40	30	2.0	40	6,000
30	70	2.0	30	6,000

Material: EN AW 6063 T66
 Surface: Plain
 Anodised, grey / black
 Powder coated

Production:
 - Cut to size.
 - Profiles can be fitted with punch holes.



0191



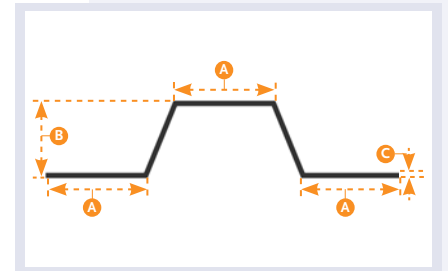
OMEGA-PROFILE

Aluminium omega profiles.

A (MM)	B (MM)	C (MM)	L (MM)
25	15	2.0	6,000
40	30	2.0	6,000

Material: EN AW 6063 T66
 Surface: Plain
 Anodised, grey / black
 Powder coated

Production:
 - Cut to size.
 - Profiles can be fitted with punch holes.



0121



SPREADER RIVET

Spreader rivet for attachment construction principle C037, with ETA approval. Suitable for metals.

Size: 6.3 x 20 / 23

Material: Aluminum
 Surface: Brute

0681



PIERCING SCREW

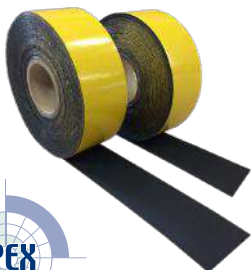
Self-piercing screw for installing the profiles for construction principle C037, provided with ETA approval. Suitable for metals.

Size: 6.0 x 25

Size: 6.5 x 26

Material: Stainless steel 304
 Surface: Brute

0175



SELF-ADHESIVE EPDM

Self-adhesive EPDM tape, contact breaker.

Size: 40. x 1.0. x 25 M1

Material: EPDM
 Surface: Textile

