

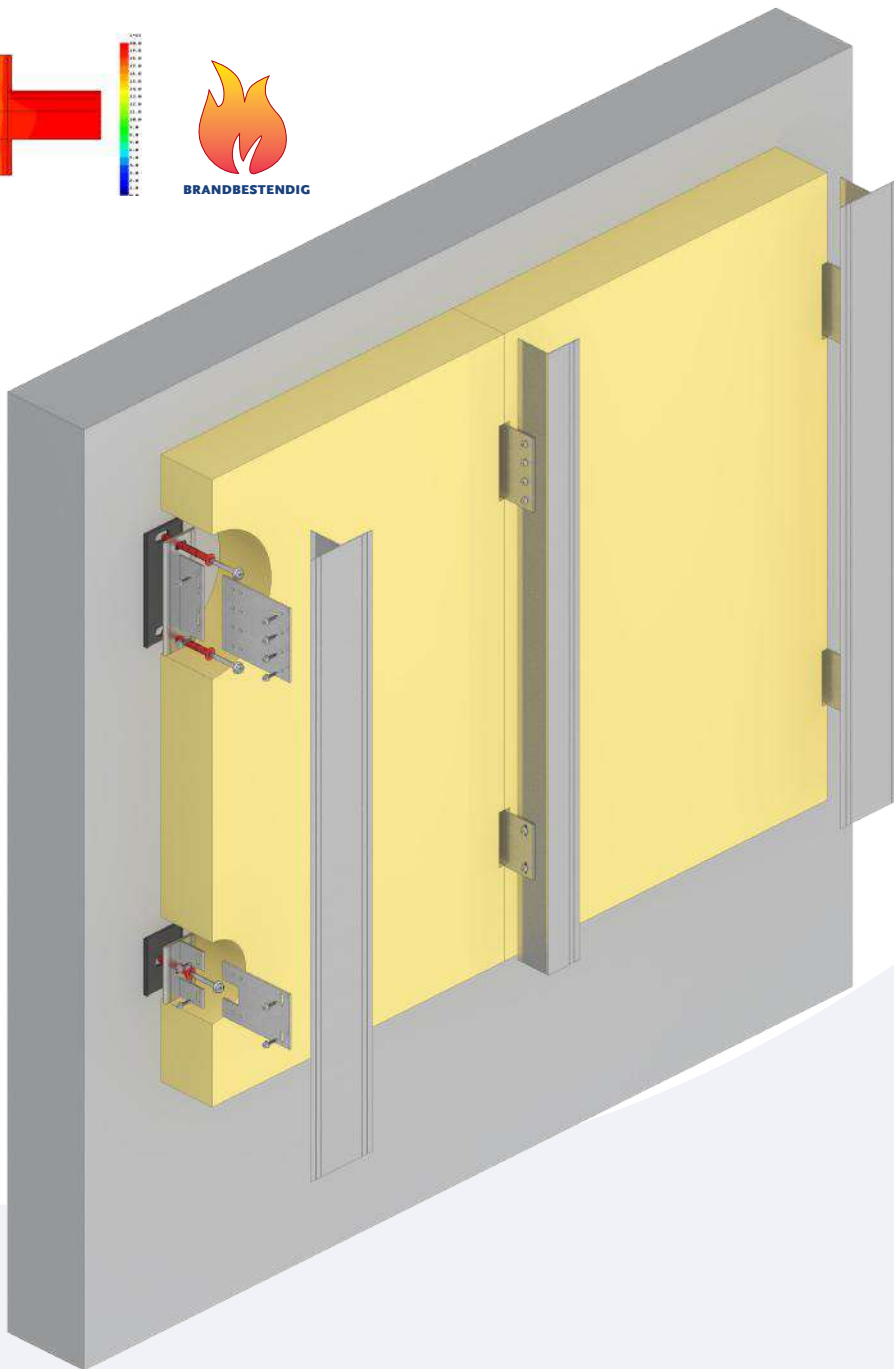
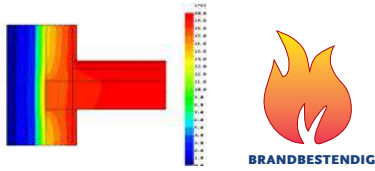
# CONSTRUCTION PRINCIPLE

## C 034

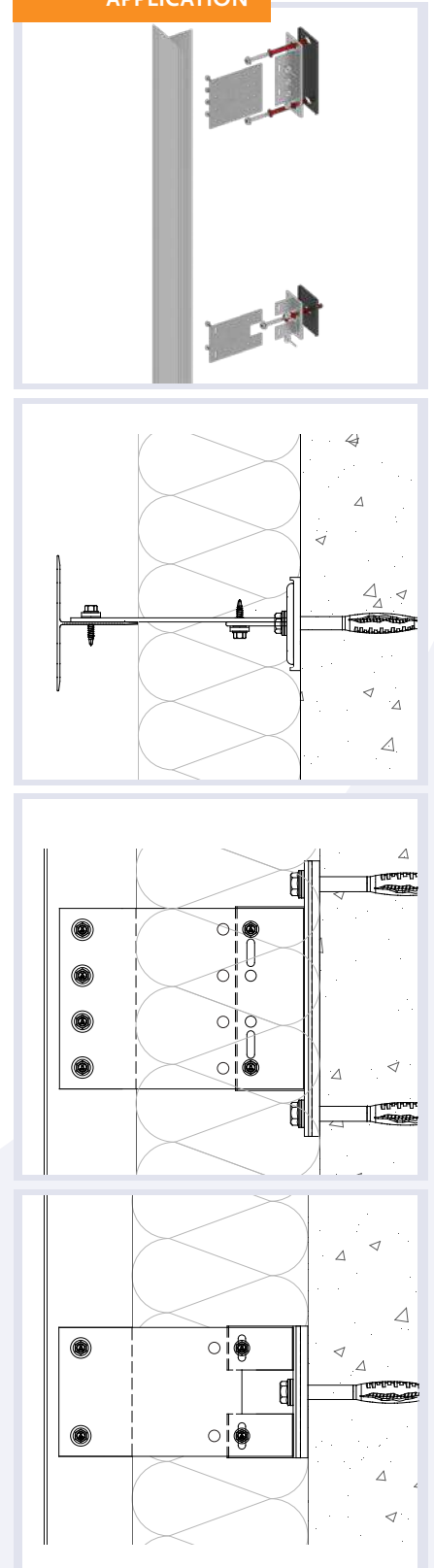
Construction principle with wall supports and extension plates.

Features:

- Flexible, quick and easy change of construction depth.
- Force is transmitted centrally in relation to the centre of gravity, which is extremely favourable for force application.
- In combination with 0227 / 0251 profiles.



### APPLICATION



## 0234

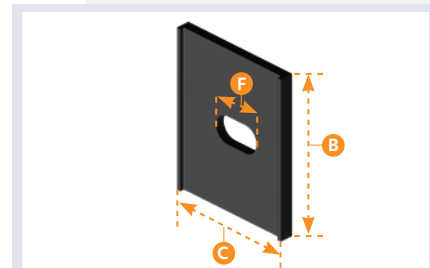


### INSULATOR

Insulator for the fix brackets; thermal value 0.087 W/mK.

B (MM)	C (MM)	F (MM)
50	60	7 x 14 - 15 x 22
60	60	7 x 14 - 15 x 22
90	60	7 x 14 - 15 x 22
180	60	7 x 14 - 15 x 22

Material: Polymer foam plastic vinyl chloride.



## 0290-180

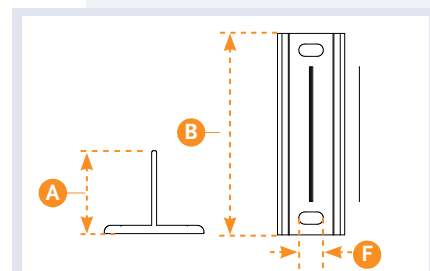


### BRACKET FIX

Brackets, fix, centric attachment; can be combined with 0286 extension plates to enlarge the cavity (A dimension). Can be supplied with or without clip.

A (MM)	B (MM)	F (MM)
50	180	7 x 14 - 11 x 22
60	180	7 x 14 - 11 x 22
90	180	7 x 14 - 11 x 22

Material: Aluminium EN AW 6063 T66.  
Surface: Plain



## 0290-90

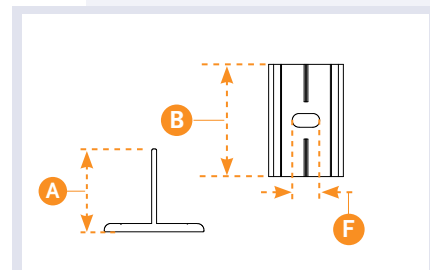


### BRACKET SLIDE

Brackets, slide, centric attachment; can be combined with 0286 extension plates to enlarge the cavity (A dimension). Can be supplied with or without clip.

A (MM)	B (MM)	F (MM)
50	90	7 x 14 - 11 x 22
60	90	7 x 14 - 11 x 22
90	90	7 x 14 - 11 x 22

Material: Aluminium EN AW 6063 T66.  
Surface: Plain



## 0482



### UNIVERSAL CONSTRUCTION PLUG

Nylon construction plug, with ETA approval.  
Size: M10 x 80

Material: Stainless steel A4 / 316  
Steel zinc-plated

## 0286-120



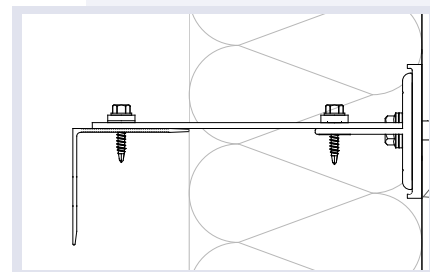
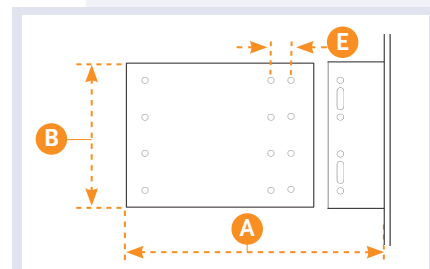
0290 + 0286

### EXTENSION PLATE

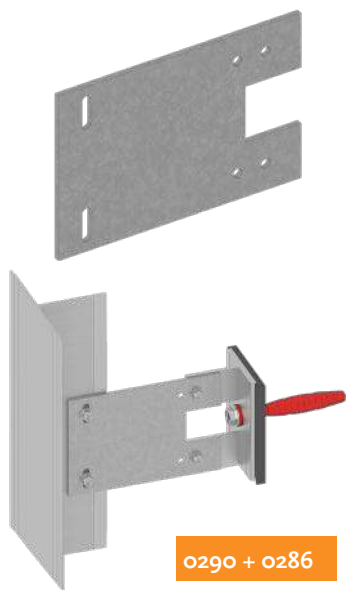
Extension plate for 0290 and 0295 (A50) fix brackets.

A (MM)	B (MM)	C-1 (MM)	C-2 (MM)	E (MM)
115	118	1,5	3	15
135	118	1,5	3	15
155	118	1,5	3	15
175	118	1,5	3	15
195	118	1,5	3	15
215	118	1,5	3	15
235	118	1,5	3	15
255	118	1,5	3	15
275	118	1,5	3	15
295	118	1,5	3	15
315	118	1,5	3	15

Material: Stainless steel 304 (C-1)  
Aluminium 5754 H22 (C-2)  
Surface: Plain



## 0286-90



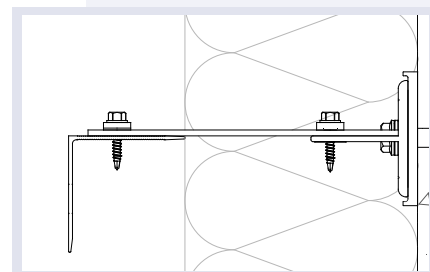
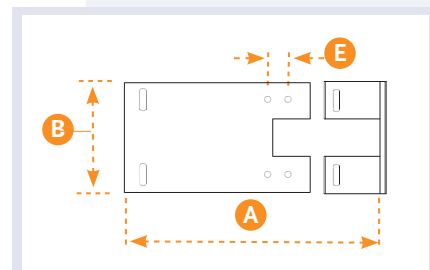
0290 + 0286

### EXTENSION PLATE

Extension plate for 0290 and 0295 (A50) slide brackets.

A (MM)	B (MM)	C-1 (MM)	C-2 (MM)	E (MM)
115	88	1,5	3	15
135	88	1,5	3	15
155	88	1,5	3	15
175	88	1,5	3	15
195	88	1,5	3	15
215	88	1,5	3	15
235	88	1,5	3	15
255	88	1,5	3	15
275	88	1,5	3	15
295	88	1,5	3	15
315	88	1,5	3	15

Material: Stainless steel 304 (C-1)  
Aluminium 5754 H22 (C-2)  
Surface: Plain



## 0725



### DRILL SCREW

Self-drilling screw for attachment to profiles, available with or without sealing washer.

Size: 5.5 x 24  
Material: Stainless steel 316 (A4)

## 0312



### DRILLMATE

Drill screw suitable for mounting extension plate 0286 on bracket 0290

Size: 5.5 x 25  
Material: Stainless steel A2 with steel drill point