

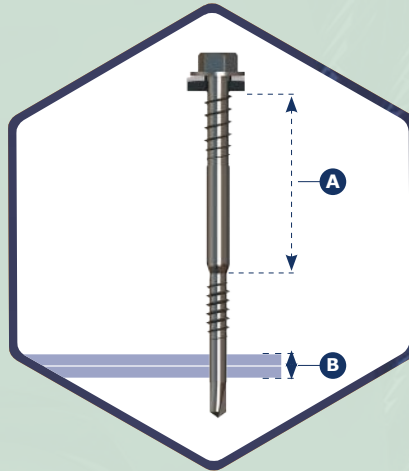
Ipex Fasteners

The hexagonal head drilling screw with No. 2 drill point offers powerful fastening and is customisable with a sealing washer of your choice. Ideal for various applications where precision and flexibility are required.

Drillmate

Hexagon head drillscrew

0336



Material:


- Bimetal A2 (BI)
- Zinc plated steel (CF)
- Bimetal A4 (BA)

Surface finish:

- Clear
- Powdercoat



| Powder coating of this screw is possible in all colours. |

SIZE (MM)	A (MM)	B (MM)		BI	CF	BA
5.5 - 6.3 x 75	40	2 x 1.2	5/16	●	●	●
5.5 - 6.3 x 95	60	2 x 1.2	5/16	●	●	●

A=Clamp Thickness **B**=Drilling capacity ● With an ETA approval: ETA-10/0020
● Approval upon request

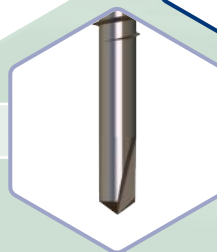
| APPROVAL |
ETA-10/0020



| SEALING WASHER |
Optionally any size



| APPLICATION |



| DRILLPOINT |
No. 2

