

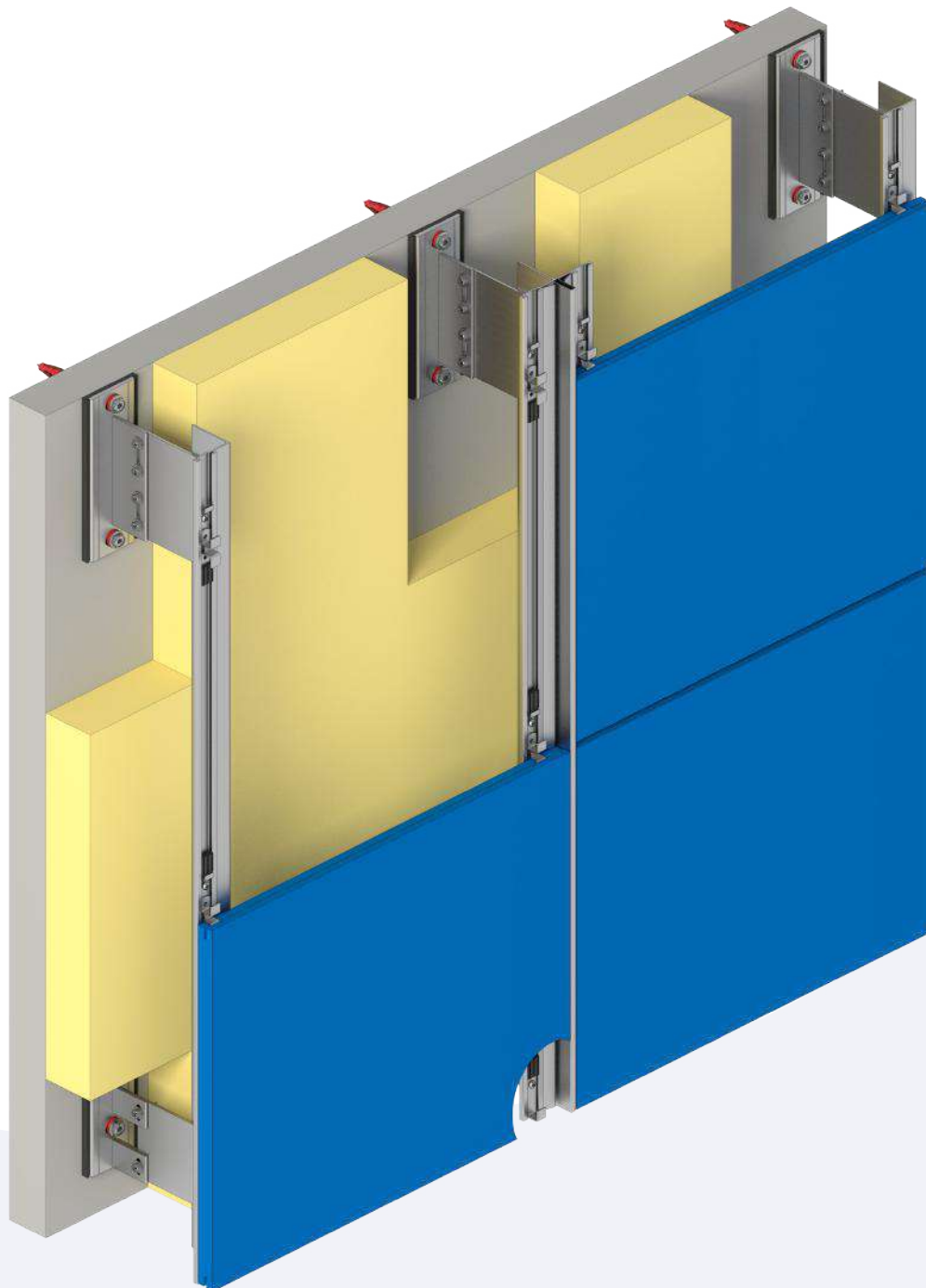
# FASTENING METHODS

## B 020

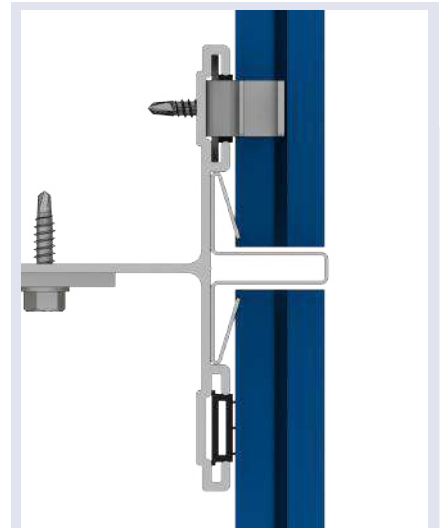
This is an aluminium profile system with guides. Hooks are placed in these guides and the ceramic tiles are clamped between them. The hooks can be either visible or invisible.

### Applications

- On a construction system(C034).
- Directly on a wall.



### APPLICATIONS



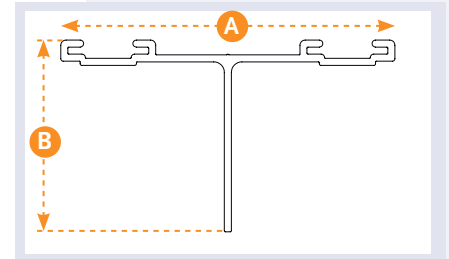
## 0814



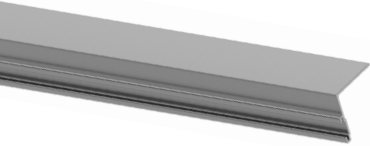
### T-PROFILE

A (MM)	B (MM)	C (MM)	D (MM)	L (MM)
95	54.5	14	23	3000

Material: ENAW 6063 T66  
Surface: Plain or Black anodised



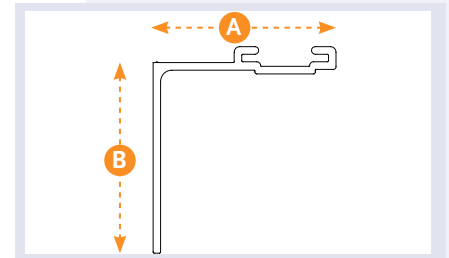
## 0815



### L-PROFILE

A (MM)	B (MM)	C (MM)	D (MM)	L (MM)
48.5	54.5	14	23	3000

Material: ENAW 6063 T66  
Surface: Plain or Black anodised



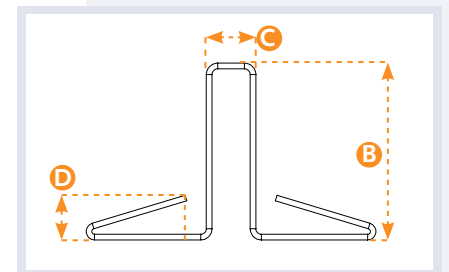
## 0633



### JOINT PROFILE

B (MM)	C (MM)	D (MM)	L (MM)
15	7	8	3000
15	7	10	3000
15	7	12	3000
23	7	8	3000
23	7	10	3000
23	7	12	3000

Materiaal: Aluminium 5005  
Oppervlakte: Blank of gepoedercoat



## 0822



### PRESSURE RUBBER

A (MM)
10
12
14

Material: Cell EPDM, Self-adhesive  
Surface: Smooth



For fixing method B 020, different thicknesses of the 0822 or the 0633 clamping profile can be chosen for the spacing between the profile and the facade plate. The table below shows the size of pressure rubber and clamping profile required for the desired spacing between the profile and the facade plate and the clamping thickness of the 0819.

CLAMP THICKNESS (K) 0819	SPACE BETWEEN PROFILE AND CLADDING PANEL (R)	PROFILE SUSPENSION (D) 0633	EPDM THICKNESS (A) 0822
4 mm	6 mm	12 mm	14 mm
6 mm	4 mm	10 mm	12 mm
8 mm	2 mm	8 mm	10 mm

## 0820



### SPACER / SAFETY CLIP

This clip secures the underlying clamp and creates a distance between the tiles

Material: Stainless steel 304 / A2  
Surface: Plain or Powdercoated

## 0821



### STARTING CLAMP

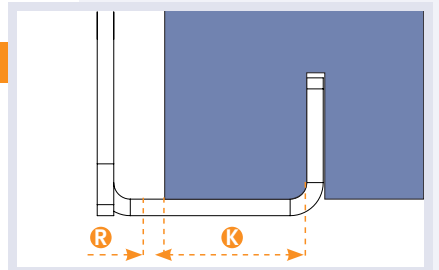
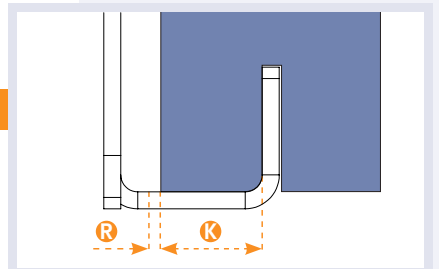
#### Configuration : 001-1

CLAMP THICKNESS K (MM)	SPACE BEHIND TILES R (MM)
4	6
6	4
8	2

#### Configuration : 002

CLAMP THICKNESS K (MM)	SPACE BEHIND TILES R (MM)
13	2

Material: Stainless steel 304 / A2  
Surface: Plain or Powdercoated



## 0819



### MIDDLE CLAMP

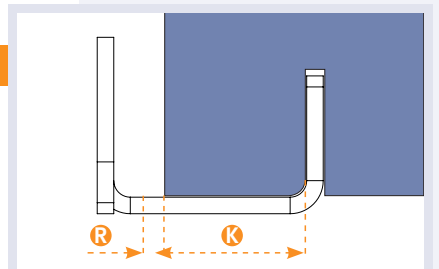
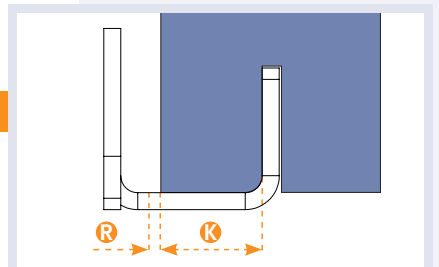
#### Configuration : 001-1

CLAMP THICKNESS K (MM)	SPACE BEHIND TILES R (MM)
4	6
6	4
8	2

#### Configuration : 002

CLAMP THICKNESS K (MM)	SPACE BEHIND TILES R (MM)
13	2

Material: Stainless steel 304 / A2  
Surface: Plain or Powdercoated



## 0350



### MOUNTING SCREW / SCREW SPACER

Size: 4.2 x 25

Material: (SA) Stainless steel A2  
Surface: Plain or powdercoated

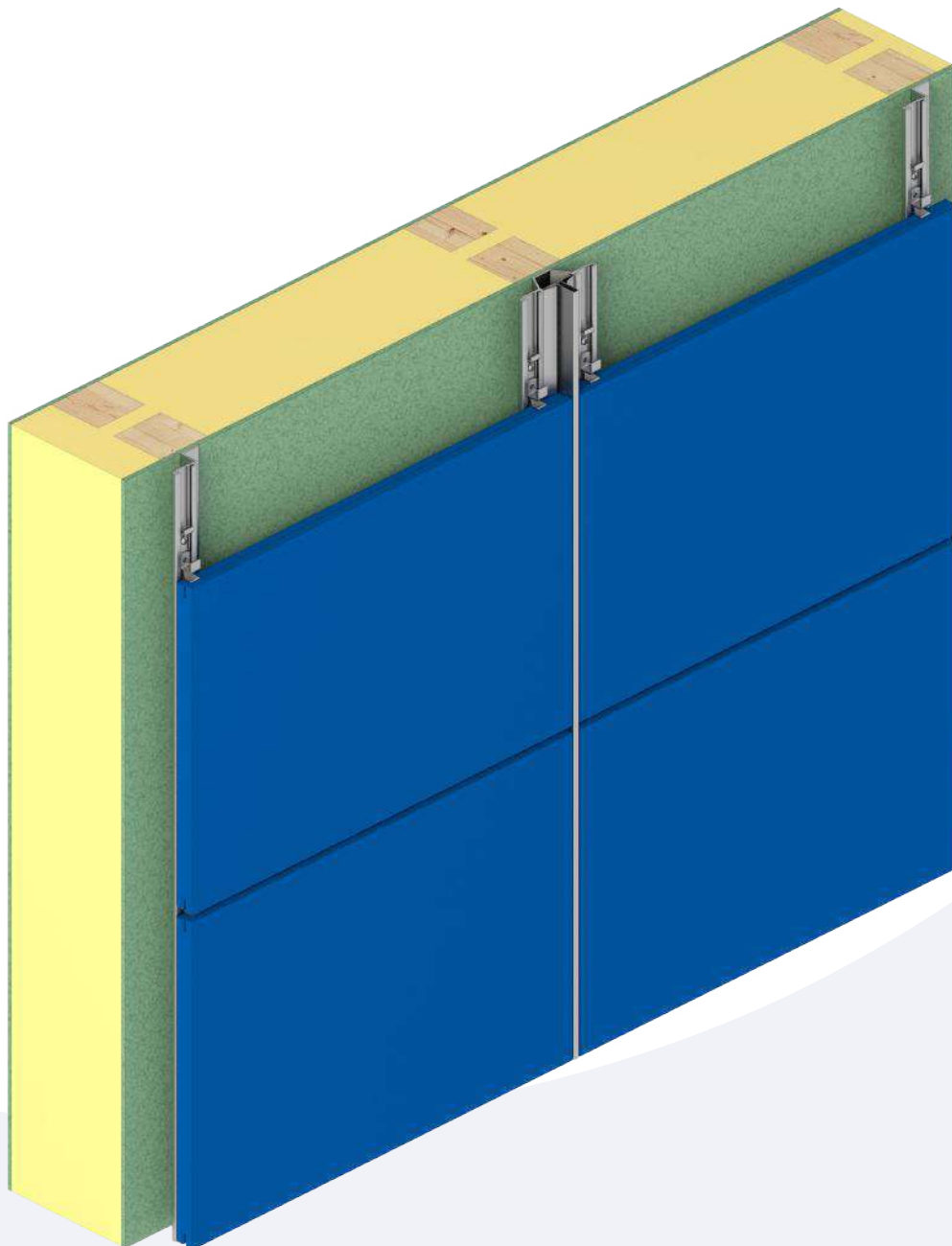
# FASTENING METHODS

## B 020

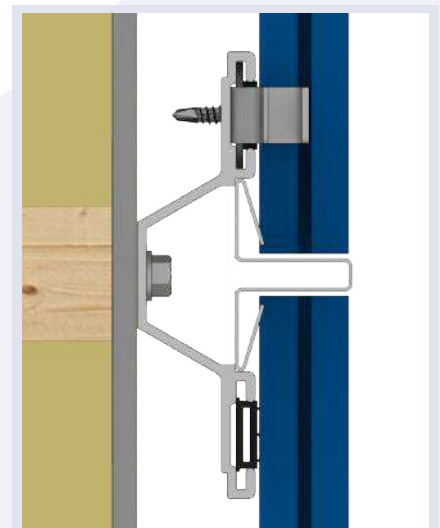
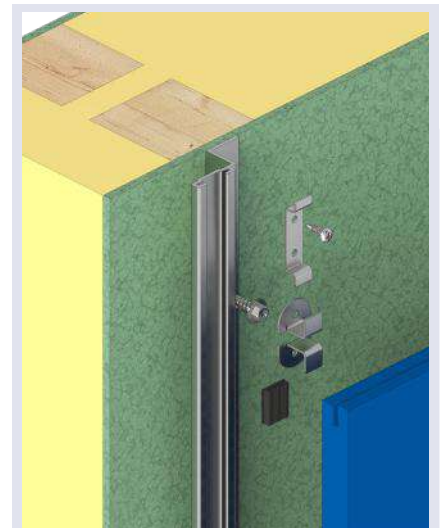
This is an aluminium profile system with guides. Hooks are placed in these guides and the ceramic tiles are clamped between them. The hooks can be either visible or invisible.

### Applications

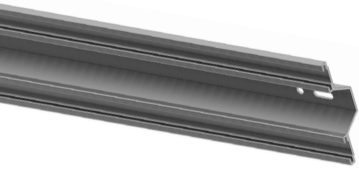
- On a construction system(C034).
- Directly on a wall.



### APPLICATIONS



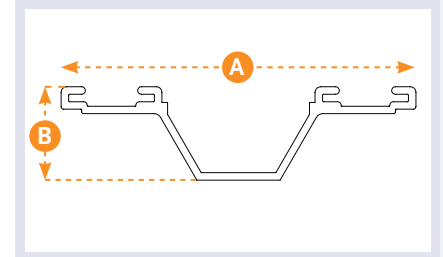
## 0817



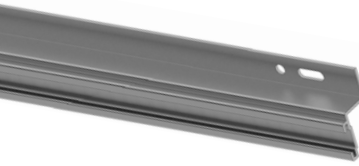
### OMEGA-PROFILE

A (MM)	B (MM)	L (MM)
95	25	3000

Material: ENAW 6063 T66  
Surface: Plain or Black anodised



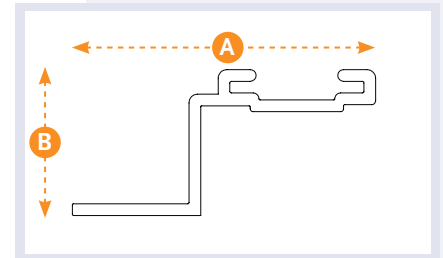
## 0818



### Z-PROFILE

A (MM)	B (MM)	L (MM)
52	25	3000

Material: ENAW 6063 T66  
Surface: Plain or Black anodised



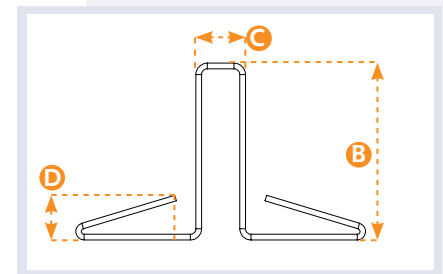
## 0633



### JOINT PROFILE

B (MM)	C (MM)	D (MM)	L (MM)
15	7	8	3000
15	7	10	3000
15	7	12	3000
23	7	8	3000
23	7	10	3000
23	7	12	3000

Materiaal: Aluminium 5005  
Oppervlakte: Blank of gepoedercoat



## 0822



### PRESSURE RUBBER

A (MM)
10
12
14

Material: Cell EPDM, Self-adhesive  
Surface: Smooth



For fixing method B 020, different thicknesses of the 0822 or the 0633 clamping profile can be chosen for the spacing between the profile and the facade plate.

The table below shows the size of pressure rubber and clamping profile required for the desired spacing between the profile and the facade plate and the clamping thickness of the 0819.

CLAMP THICKNESS (K) 0819	SPACE BETWEEN PROFILE AND CLADDING PANEL (R)	PROFILE SUSPENSION (D) 0633	EPDM THICKNESS (A) 0822
4 mm	6 mm	12 mm	14 mm
6 mm	4 mm	10 mm	12 mm
8 mm	2 mm	8 mm	10 mm

## 0820



### SPACER / SAFETY CLIP

This clip secures the underlying clamp and creates a distance between the tiles

Material: Stainless steel 304 / A2  
Surface: Plain or Powdercoated

## 0821



### STARTING CLAMP

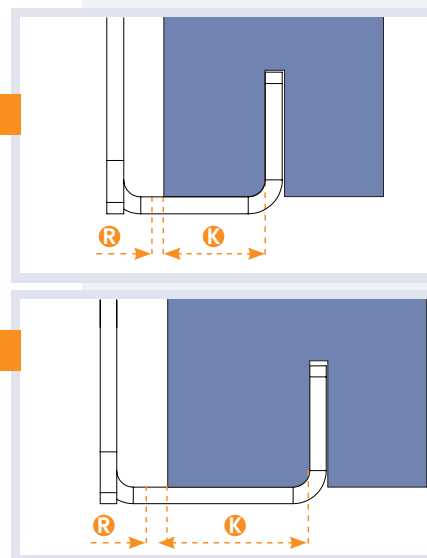
#### Configuration : 001-1

CLAMP THICKNESS K (MM)	SPACE BEHIND TILES R (MM)
4	6
6	4
8	2

#### Configuration : 002

CLAMP THICKNESS K (MM)	SPACE BEHIND TILES R (MM)
13	2

Material: Stainless steel 304 / A2  
Surface: Plain or Powdercoated



## 0819



### MIDDLE CLAMP

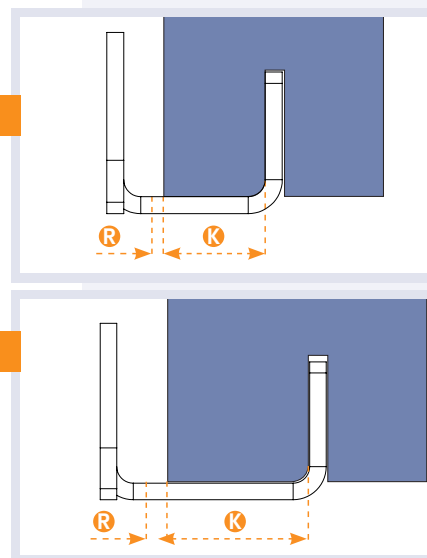
#### Configuration : 001-1

CLAMP THICKNESS K (MM)	SPACE BEHIND TILES R (MM)
4	6
6	4
8	2

#### Configuration : 002

CLAMP THICKNESS K (MM)	SPACE BEHIND TILES R (MM)
13	2

Material: Stainless steel 304 / A2  
Surface: Plain or Powdercoated



## 0350



### MOUNTING SCREW / SCREW SPACER

Size: 4.2 x 25

Material: (SA) Stainless steel A2  
Surface: Plain or powdercoated