

FASTENING METHOD

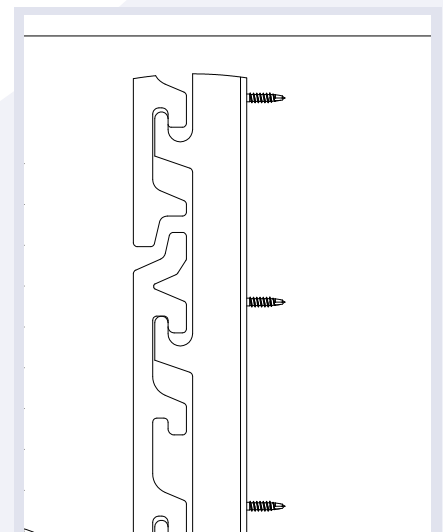
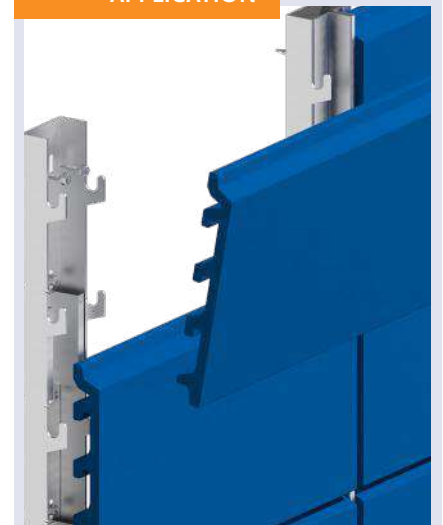
B 019

Invisible fixing method for extruded ceramic façade tiles.
The tile is mounted on a vertical profile system. The system is fitted with a hook pattern. A joint profile can be mounted in the vertical joint.

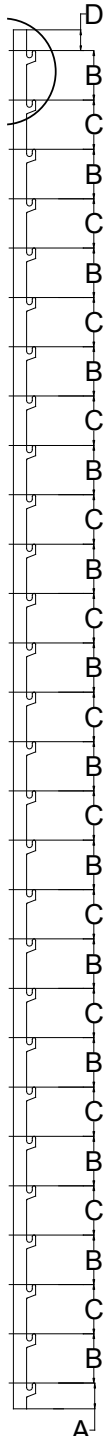
Suitable for tile types including Tonality, Creaton, Favemanc.



APPLICATION



0710



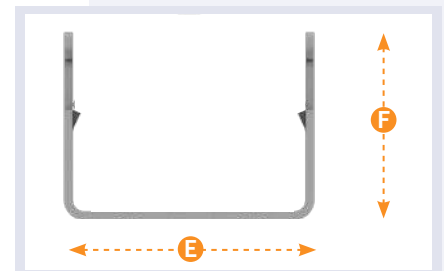
HOOK PROFILE

Hook profile, for: Tonality, Creaton, Favemanc, enz.

	A (MM)	B (MM)	C (MM)	D (MM)	E (MM)	F (MM)	L (MM)
M056-0	43	75	75	residual size	60	45	variable max. 2990
M057-0	43	100	75	residual size	60	45	variable max. 2990
M058-0	52	100	100	residual size	60	45	variable max. 2990
M059-0	43	150	75	residual size	60	45	variable max. 2990
M060-0	52	150	100	residual size	60	45	variable max. 2990
M061-3	102	150	150	residual size	60	45	variable max. 2990
M062-0	102	200	200	residual size	60	45	variable max. 2990
M063-0	102	300	200	residual size	60	45	variable max. 2990
M064-0	152	300	300	residual size	60	45	variable max. 2990
M080-0	43	75	75	residual size	60	35	variable max. 2990
M081-0	43	100	75	residual size	60	35	variable max. 2990
M082-0	52	100	100	residual size	60	35	variable max. 2990
M083-0	43	150	75	residual size	60	35	variable max. 2990
M084-0	52	150	100	residual size	60	35	variable max. 2990
M085-0	102	150	150	residual size	60	35	variable max. 2990
M086-0	102	200	200	residual size	60	35	variable max. 2990
M087-0	102	300	200	residual size	60	35	variable max. 2990
M088-0	152	300	300	residual size	60	35	variable max. 2990

Construction height = variable

Material: EN AW Aluminium 5754 H22
Surface: Plain



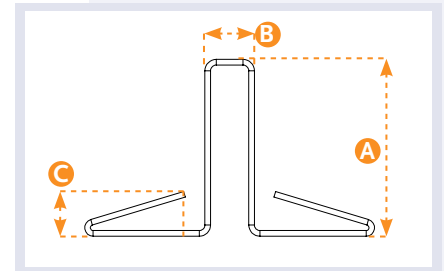
0633



JOINT PROFILE

A (MM)	B (MM)	C (MM)	L (MM)
15	7	8	3000
15	7	10	3000
15	7	12	3000
23	7	8	3000
23	7	10	3000
23	7	12	3000

Material: Aluminium 5005.
Surface: Plain or powder-coated.



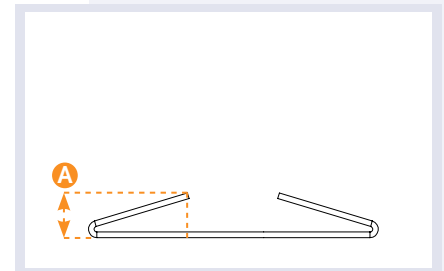
0716



JOINT PROFILE

A (MM)	L (MM)
8	3000
10	3000
12	3000

Material: Aluminium 5005.
Surface: Plain or powder-coated.



0725



DRILL SCREW

Self-drilling screw for attachment to profiles, available with or without sealing washer.
Size: 5.5 x 24

Material: Stainless steel 316 (A4)

0319



DRILLMATE

Drill screw for mounting brackets or profiles on wooden structures.

Material: Stainless steel A2
Surface: Zinc coating