

Storm washers

Aluminium storm washers with EPDM

Sealing element, designed to the top of the profiled panel, the additional reinforcement ribs applied add rigidity to the element.



- **0125** - Aluminium storm washer trapezium
- **0126** - Aluminium storm washers for corrugated profiles



| Powder coating is possible with these storm washers in all colours. |

IPEX

Storm washers

Aluminium storm washers with EPDM

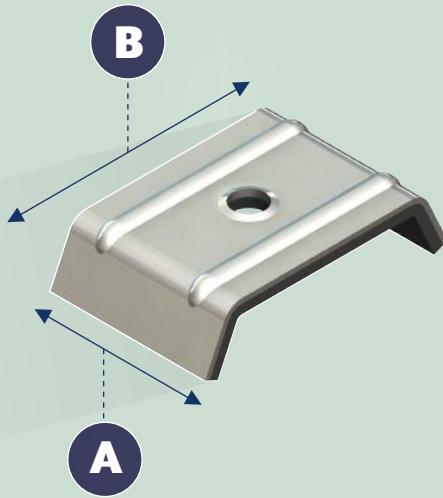
Storm washers trapezium

Aluminium with vulcanised EPDM

0125

Material: Aluminium | stainless steel | copper
Sealing: High-quality 2 mm. EPDM with closed cell which provides a watertight seal. Under normal conditions, a minimum service life of 25 years can be expected.

Colour: Naturel | powder coating
Packaging: Bulk | boxes | bags



TYPE	A (MM)	B (MM)	ANGLE
001	30	20	35°
002	30	24	31°
003	30	24	30°
004	40	20	23°
005	40	40	45°
006	40	40	34°
007	40	40	34°
008	32	34	23°
009	32	40	17°
010	40	25	27°
011	50	25	27°

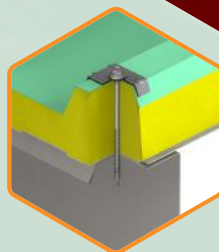
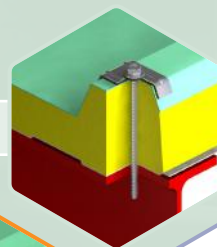
TYPE	A (MM)	B (MM)	ANGLE
012	40	23	30°
013	40	23	30°
014	32	40	24°
015	40	57	22°
016	45	54	32°
017	40	30	29°
018	40	48	40°
019	35	33	38°
020	40	26	40°
021	30	20	16°

Standard RAL colours

1015	3009	6011
7035	8011	9002
9010	3000	3011
6020	7037	8012
9006	3003	6005
7016	8004	8014
9007		

*Please note: for standard colours (see colour table above) packaging unit is 100 pieces. If a non-standard colour is required, please note the numbers listed separately.

APPLICATION



APPLICATION

GARANTEE

Lifespan 25 years



SELECTION GUIDE

QR-code

Take a look at our storm washer selection guide to see which of our storm washers is applicable to each profile.



Storm washers

Aluminium storm washers with EPDM

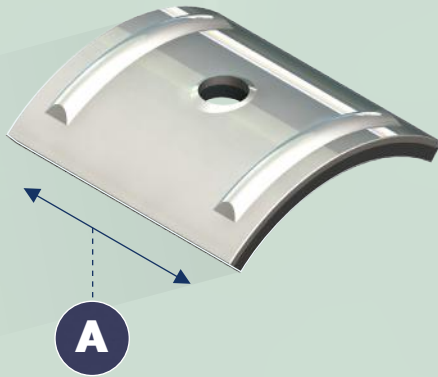
Storm washers for corrugated profiles

Aluminium with vulcanised EPDM

0126

Material: Aluminium | stainless steel | copper
Sealing: High-quality 2 mm. EPDM with closed cell which provides a watertight seal. Under normal conditions, a minimum service life of 25 years can be expected.

Colour: Naturel | powder coating
Packaging: Bulk | boxes | bags



TYPE	A (MM)	RADIUS (MM)
001 (25 x 25)	25	24
002 (40 x 40)	40	24
003	45	48
004	40	43
-	-	R 33

Standard RAL colours

1015	3009	6011
7035	8011	9002
9010	3000	3011
6020	7037	8012
9006	3003	6005
7016	8004	8014
9007		

*Please note: for standard colours (see colour table above) packaging unit is 100 pieces. If a non-standard colour is required, please note the numbers listed separately.

| GARANTEE |
Lifespan 25 years



| APPLICATION |



| SELECTION GUIDE |
QR-code

| Take a look at our storm washer selection guide to see which of our storm washers is applicable to each profile. |

