

# FASTENING METHOD

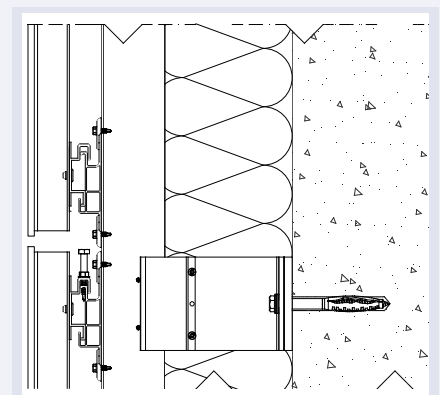
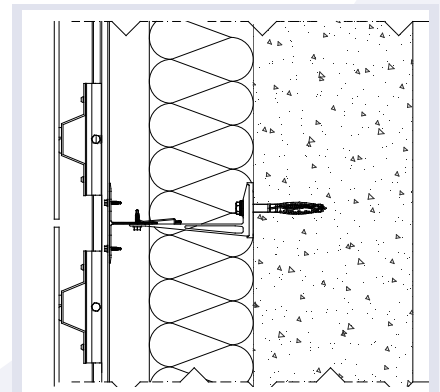
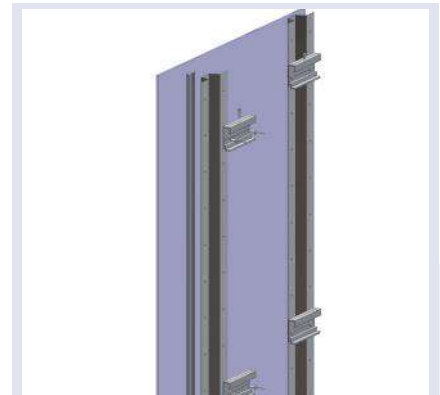
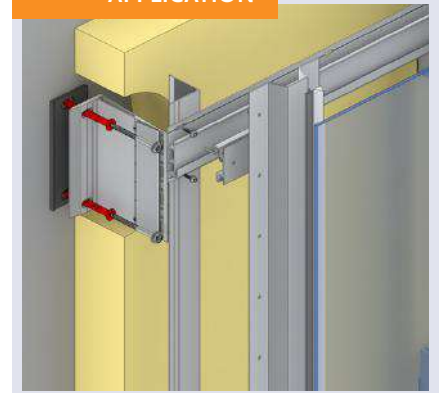
## B 010

Invisible fastening method in which a profile system is factory glued to the back of the cladding. The resulting prefabricated element can then be mounted to a horizontal battens. The panel can then be corrected in height with set screws before the element is secured.

Application: e.g. glass, HPL, fibre cement, ceramics.

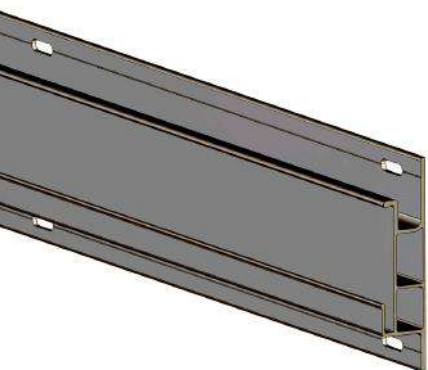


### APPLICATION



[www.ipex-group.com/B010](http://www.ipex-group.com/B010)

## 0270



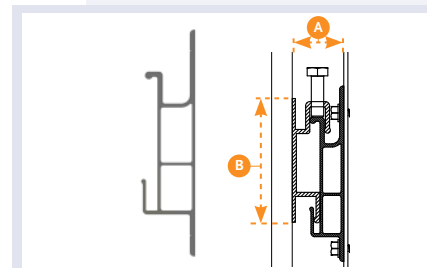
### SUPPORT PROFILE

Horizontal support profile. It can be attached by means of the slotted hole in the profile or using clamp 0276

A (MM)	B (MM)	L (MM)
30	60	6,000

Material: EN AW 6063 T66.  
Surface: Grey anodised  
Black anodised

Machining:  
- Cutting to size.  
- Profiles can be provided with hole patterns.



## 0276

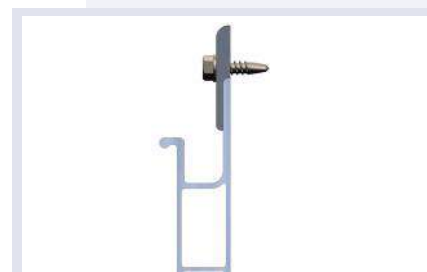


### CLAMP

Clamp for profile 0270,  
Hole diameter: 6.0 mm.

L (MM)
30
50

Material: EN AW 6063 T66.  
Surface: Grey anodised



## 0725

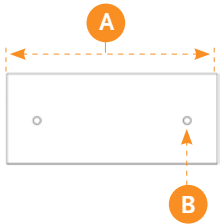


### DRILL SCREW

Self-drilling screw for attaching clamp 0276.  
Size: 4.8 x 20

Material: Stainless A2 (304)  
Surface: Zinc-plated

## 0275



### PLATE HOOKS

Plate hook (hanger), for invisible attachment of the facade panel in combination with 0270 carrier profile. Various sizes available.

0275)	A (MM)	B
0275-S	100	6.0
0275-A	100	6.0
0275-AF	100	6.0

Material: Aluminium EN AW 6063 T66  
 Surface: Black anodised  
 Grey anodised

## 0275 - S



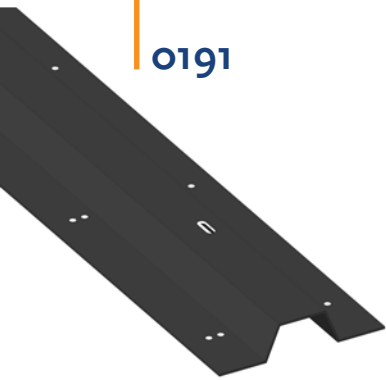
## 0275 - A



## 0275 - AF



## 0191

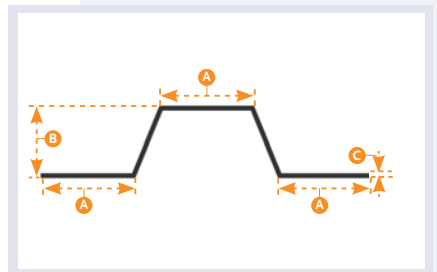


### OMEGA PROFILE

Aluminium omega profiles, suitable for bonding or mechanical fastening of facade plate.

A (MM)	B (MM)	C (MM)	L (MM)
25	15	2.0	6,000
25	20	2.0	6,000
40	30	2.0	6,000

Material: EN AW 6063 T66  
 Surface: Plain.  
 Anodised, grey / black.



## 0105



### COLOUR-RIVET ®

Blind rivet for attaching 0275 on the 0191.  
 Size: 5.0 x 10

Material: Stainless A2 (0304)  
 Surface: Plain

## 0622



### ADJUSTABLE SCREW

Adjustable screw, to adjust the height of the 0275.  
 M6 x 30, Hex indentation drive.

Material: Stainless A2 (304)  
 Surface: Plain

## 0390



### TRUSSHEAD

Self-drilling screw to attach the 0275 to the 0270.  
 Size: 4.2 x 32, Torx drive.

Material: Stainless A2 (304)  
 Surface: Zinc-plated

## I-Bond



### GLUE CARTRIDGES

Different adhesive types, the choice for which type is suitable depends on cladding panel type, weight and size.

Content: 600 ml

## I-Bond



### TAPE

Foam tape for initial adhesion and spacer of facade plate.

Tape 12 mm x 3 mm x 25 M

Tape 19 mm x 3 mm x 25 M

## I-Bond



### PRIMER

Primers for pre-treatment of substructure and facade plate.

Contents: 1 L or 5 L

## I-Bond



### CLEANING

Cleaning materials among others for pre-treating various facade panels.