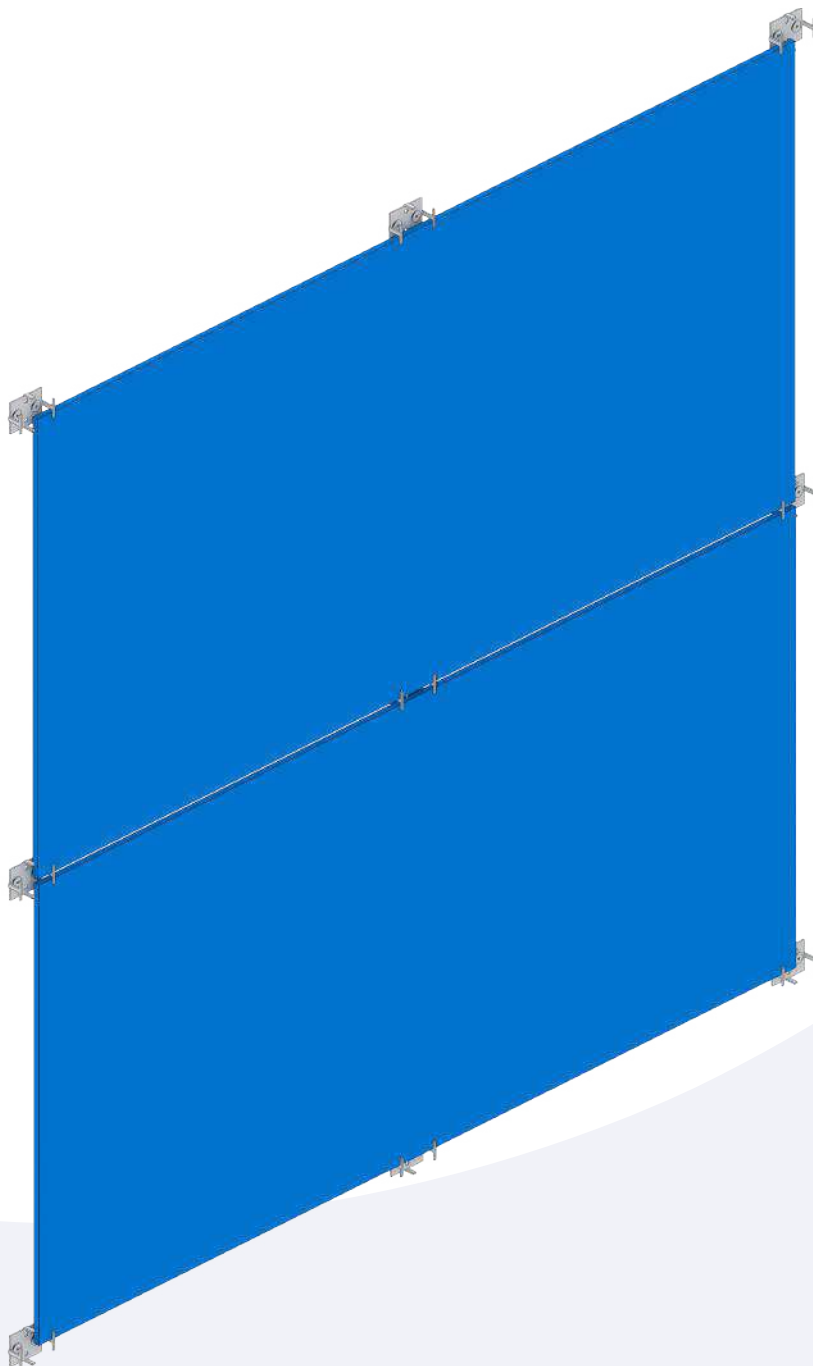


FASTENING METHOD

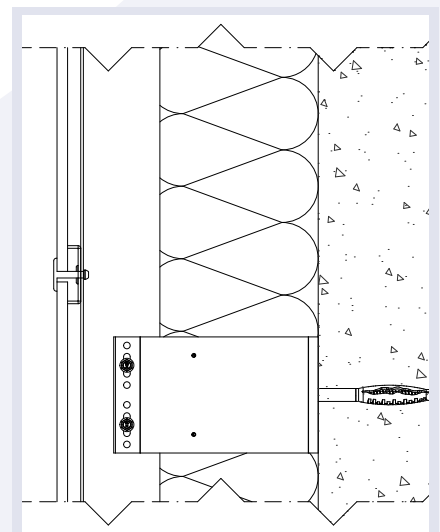
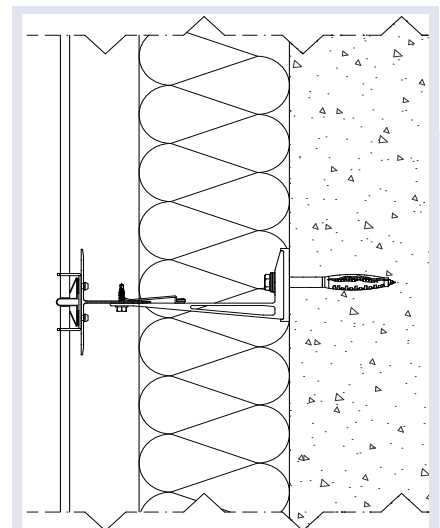
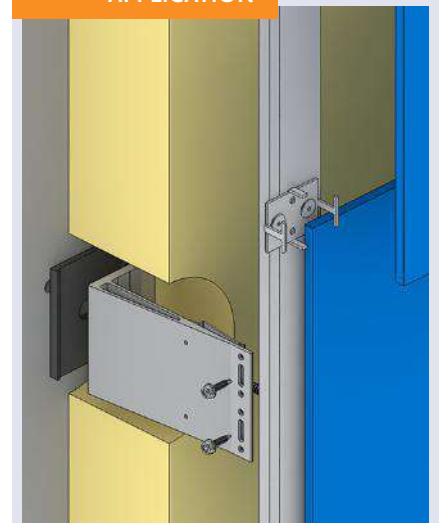
B 006

Visible fixing method using stainless steel clamps mounted on pre-punched alignment profiles. The head of the clamps is visible in the façade image, thus contributing to a specific appearance. The great advantage of this system is its quick and easy processing on the building site.

Application: e.g. HPL, ACP, wood, steel, glass, ceramics, fibre cement.



APPLICATION



0512



PANEL CLAMP

Clamp, to attach facade panels with a thickness of up to 20 mm.

Material: Stainless steel C300.
Surface: Plain.
Powder-coated.



End clamp



Middle clamp



Start clamp

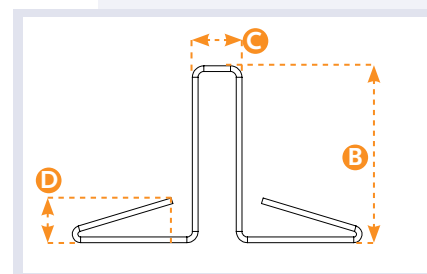
0633



JOINT PROFILE

B (MM)	C (MM)	D (MM)	L (MM)
15	7	8	3000
15	7	10	3000
15	7	12	3000
23	7	8	3000
23	7	10	3000
23	7	12	3000

Material: Aluminium 5005
Surface: Plain or powder-coated.



0621

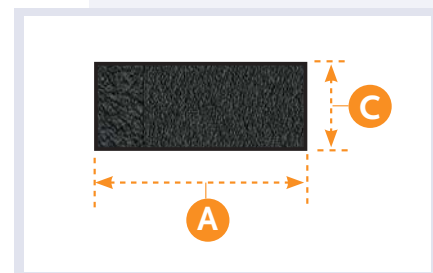


EPDM FILL BLOCK

Fill block for the 0512, self-adhesive.

A (MM)	B (MM)	C (MM)
15	30	5
15	30	7
15	30	9

Material: EPDM, closed cell.
Surface: Foam



0300



TRUSSHEAD

Self-drilling screw to install 0512.
Size: 4.8 x 20

Material: Stainless A2 (0304)
Surface: Plain

B 006 - ADVICE



Use pre-punched profiles.

0105



COLOUR-RIVET ®

Blind rivet, to attach 0512.
Size: 5.0 x 10

Material: Aluminium / Stainless
Surface: Plain