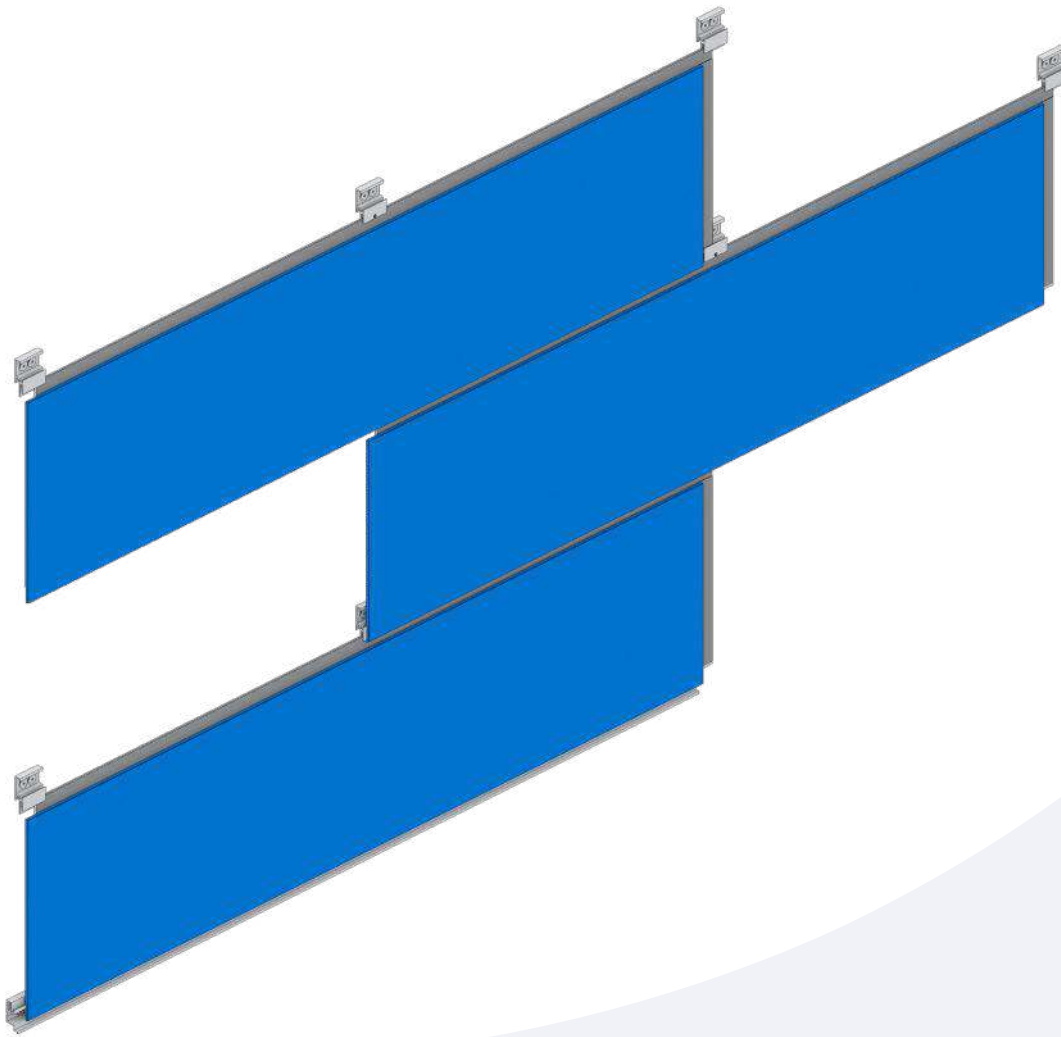


FASTENING METHOD

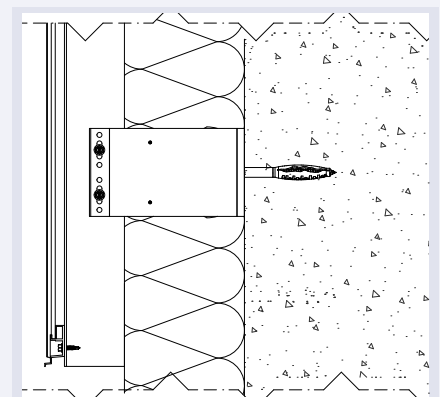
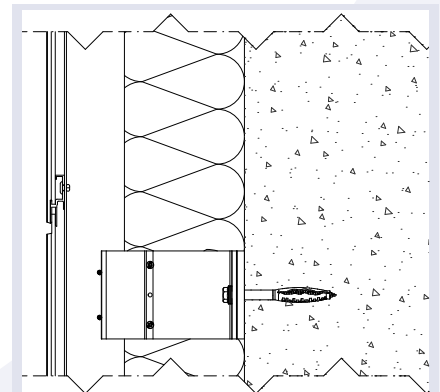
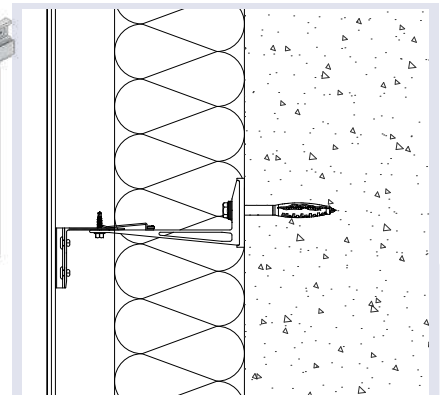
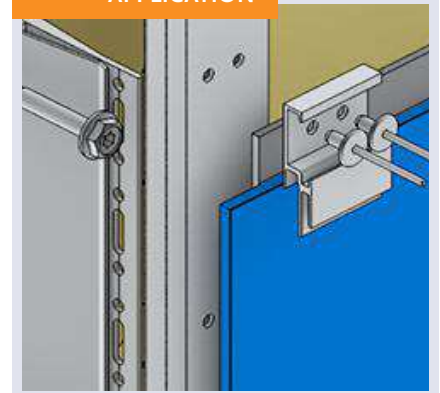
B 005

Invisible fastening method based on the Slimline modular fixing system. This method uses pre-punched vertical alignment profiles and clamps, which are used to mount specially designed HPL facade plates as a stackable system. It is characterised by minimal on-site handling.

Suitable for: HPL, other materials on request.



APPLICATION

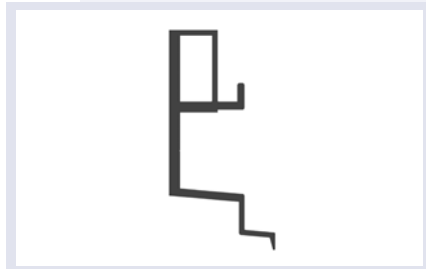


0545



START PROFILE

Material: EN AW 6063 T6.
Surface: Black anodised



0540



CLAMP

Material: EN AW 6063 T6.
Surface: Black anodised

0540 FIX



CLAMP FIX

Clamp, with attachment hole, to create an attachment point.

Material: EN AW 6063 T6.
Surface: Black anodised

0379



INSTALLATION SCREW

Installation screw, to attach 0540.
5.5 x 19

Material: Stainless A2 (304)
Surface: Plain

0588



FIX POINT PIN

Pin to create an attachment point for the 0540 Fix.
Size: 3.0 x 14

Material: Stainless A2 (304)
Surface: Plain

0548



INSTALLATION TOOL

Tool used to install 0545 start profile and to link the 0190 profiles

Material: EN AW Aluminium 5754 H22.
Surface: Plain

B 005 - ADVICE



Use pre-punched 0190 Slimline profiles.