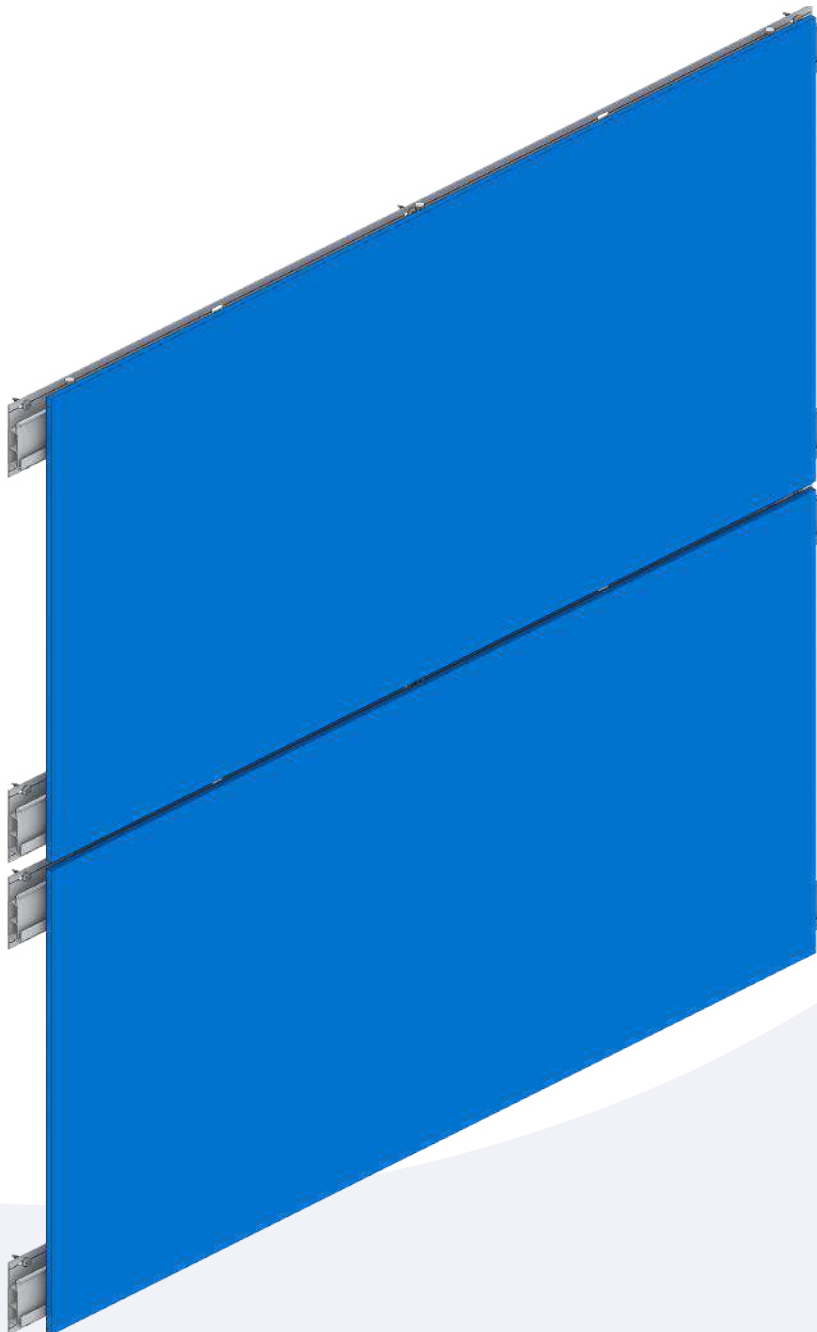


# FASTENING METHOD

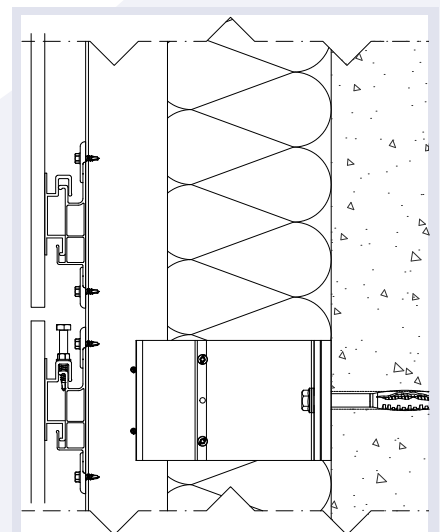
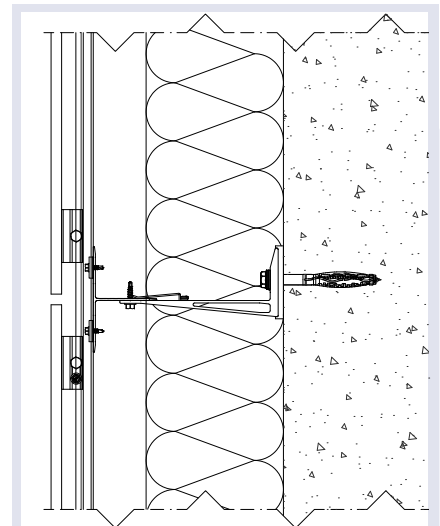
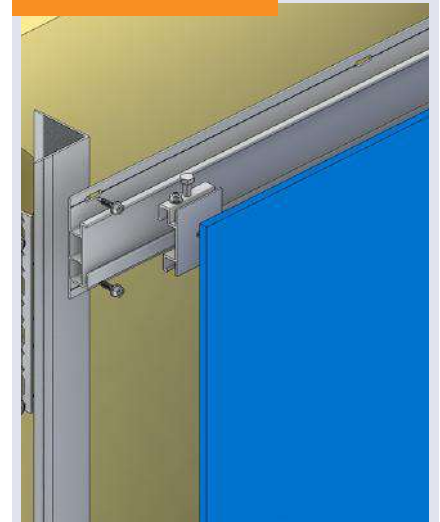
## B 004

This invisible fastening method is also known as plate hook or agraph system. The facade plates are attached to a horizontal rail using adjustable - and invisibly mounted - plate hooks. This method is characterised by horizontal and vertical joints. This creates an expressive facade layout. Thanks to prefabrication, faster assembly times can be achieved.

Suitable for: stone, HPL, fibre cement, ceramic, etc.



### APPLICATION



## 0270

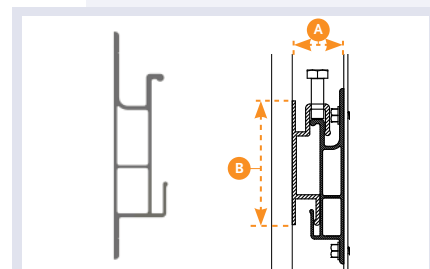
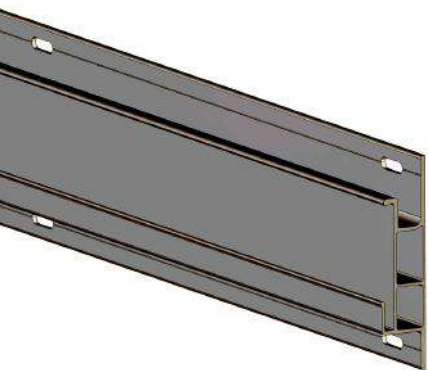
### SUPPORT PROFILE

Horizontal support profile. It can be attached by means of the slotted hole in the profile or using clamp 0276

A (MM)	B (MM)	L (MM)
30	60	6,000

Material: EN AW 6063 T66.  
Surface: Grey anodised  
Black anodised

Machining:  
- Cutting to size.  
- Profiles can be provided with hole patterns.



## 0276

### CLAMP

Clamp for profile 0270,  
Hole diameter: 6.0 mm.

L (MM)
30
50

Material: EN AW 6063 T66.  
Surface: Grey anodised



## 0725

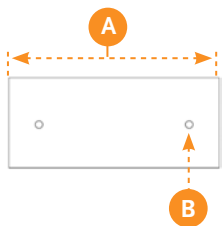
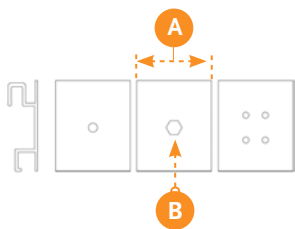
### DRILL SCREW

Self-drilling screw for attaching clamp 0276.  
Size: 4.8 x 20

Material: Stainless A2 (304)  
Surface: Zinc-plated



## 0275



### PLATE HOOKS

Plate hooks for invisible facade plate mounting in combination with profile 0270. Equipped with various hole patterns and options. Other dimensions on request.

0275)	A (MM)	B	FIXING TYPE
0275-S	40/60	5.0 (4x)	I-Slot
0275-S	40/60	6.0	Insert/Screw
0275-S	40/60	8.5	Fischer
0275-S	40/60	HEX	Keil
0275-S	40/60	Square	Tergo
0275-A	40/60	5.0 (4x)	I-Slot
0275-A	40/60	6.0	Insert/Screw
0275-A	40/60	8.5	Fischer
0275-A	40/60	HEX	Keil
0275-A	40/60	Square	Tergo
0275-AF	40/60	5.0 (4x)	I-Slot
0275-AF	40/60	6.0	Insert/Screw
0275-AF	40/60	8.5	Fischer
0275-AF	40/60	HEX	Keil
0275-AF	40/60	Square	Tergo
0275-AF	100	5.0 (2x)	0121

Material: Aluminium EN AW 6063 T66  
 Surface: Black anodised  
 Grey anodised

### 0275 - S



### 0275 - A



### 0275 - AF



## 0284



### SPACER

Rubber spacer for 0275  
 Size: 40 x 40 x 1.0 mm.

Material: EPDM  
 Surface: Fabric

## 0622



### ADJUSTABLE SCREW

Adjustable screw, to adjust the height of the 0275.  
 M6 x 30, Hex indentation drive.

Material: Stainless A2 (304)  
 Surface: Plain

## 0390



### TRUSSHEAD

Self-drilling screw, to attach the 0275 to the 0270.  
 Size: 4.2 x 32, Torx drive.

Material: Stainless A2 (304)  
 Surface: Zinc-plated