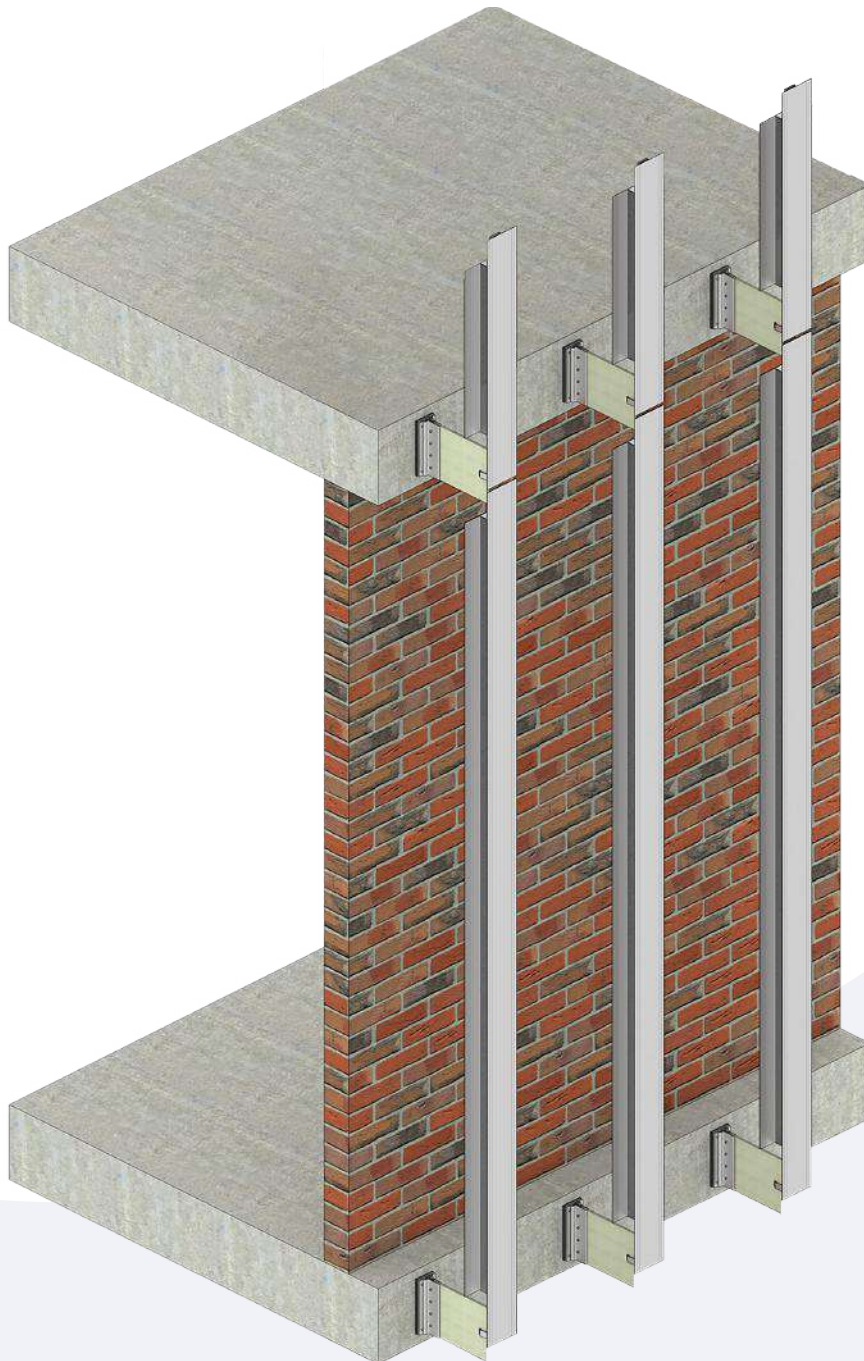


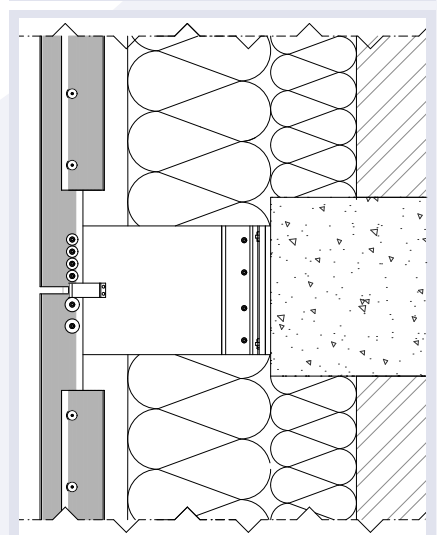
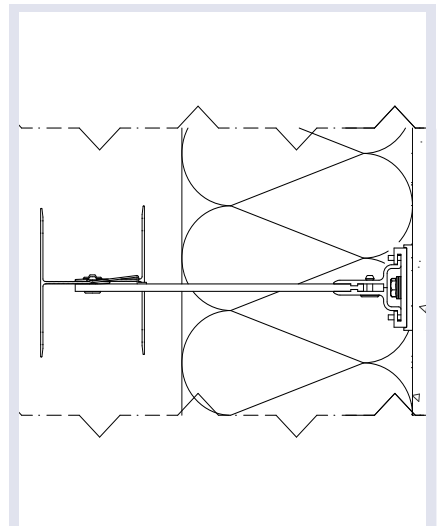
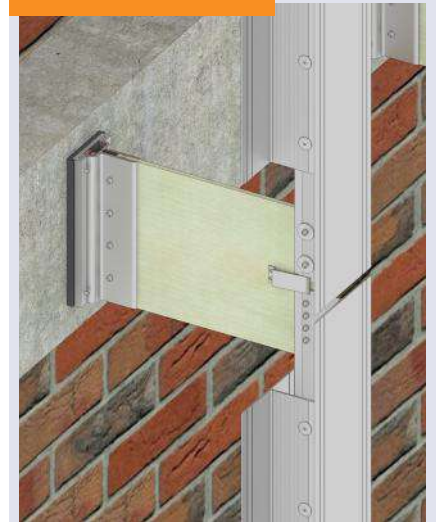
# CONSTRUCTION PRINCIPLE

## C 108

Construction principle combining wall supports with linked profiles. This allows large spans, making it ideally suited for floor construction systems and storey-spanning façade constructions.



### APPLICATION



## 0251\_0108

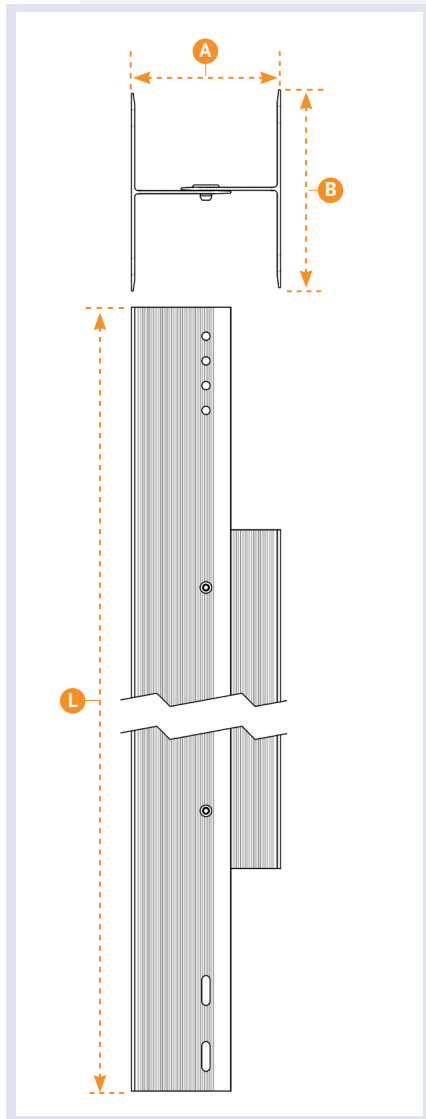


### T-PROFILE

Aluminium T profiles.

A (MM)	B (MM)	L (MM)
60	100	3000

Material: EN AW 6063 T66  
 Surface: Plain  
 Anodised, grey / black



## 0720

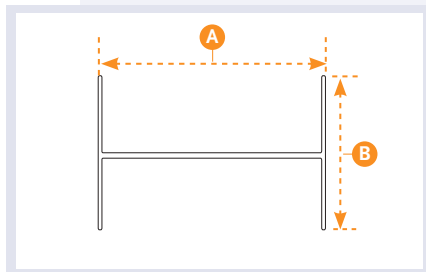


### I-PROFILE

Aluminium I profiles.

A (MM)	B (MM)	L (MM)
105	130	7000
120	60	7000

Material: EN AW 6063 T66  
 Surface: Plain  
 Anodised, grey / black



## 0106



### COLOUR-RIVET®

Blind rivet for 0251\_0108 assembly.  
 Size: 5,0 x 12

Material: Aluminium Stainless steel  
 Surface: Plain or powder-coated