

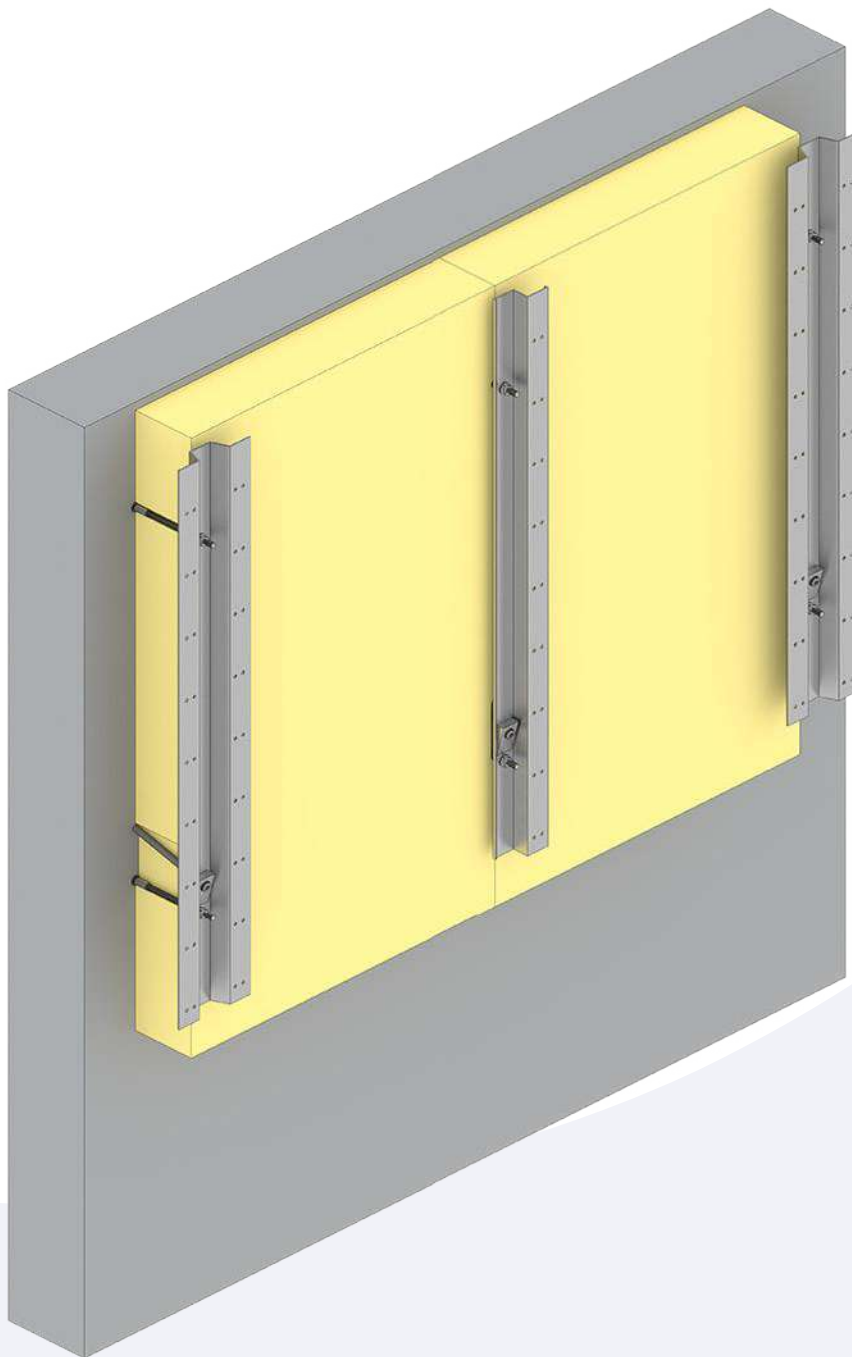
CONSTRUCTION PRINCIPLE

C 087

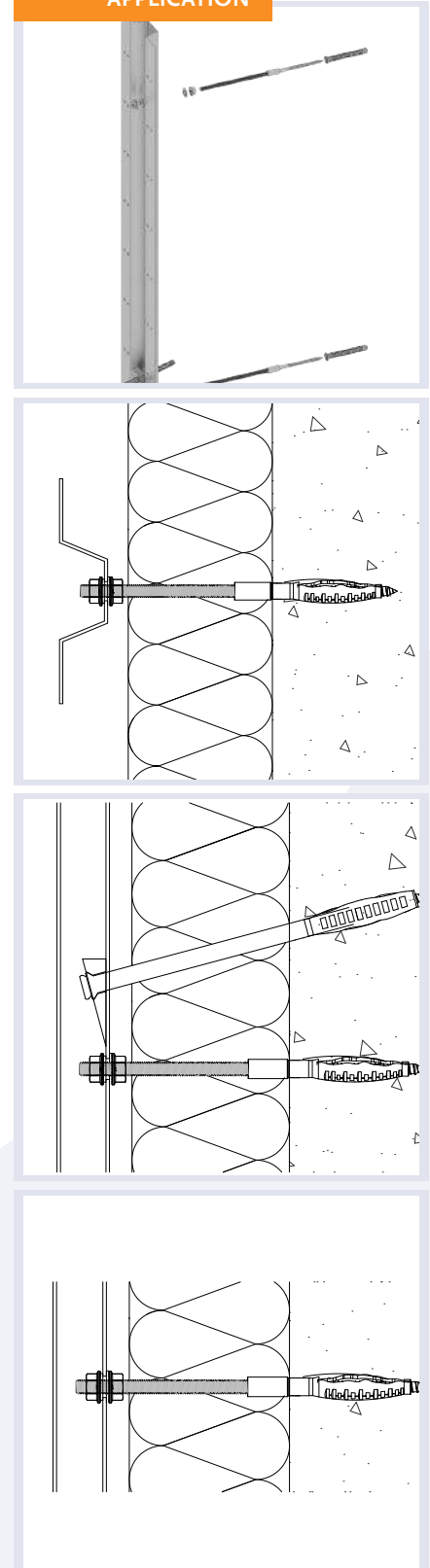
Construction principle with stainless steel anchor rods, plugs and struts.

Features:

- Push-through installation.
- Low thermal conductivity.
- In combination with 0190 & 0191 profiles.



APPLICATION



o660/o664

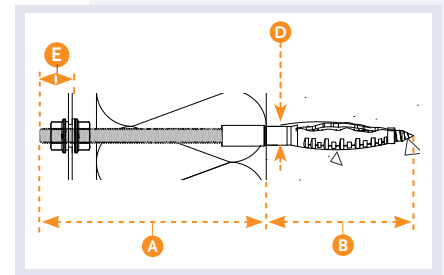
CONSTRUCTION PLUG

Construction plug with Metric M8 metric thread.



A (MM)	B (MM)	D (MM)	E (MM)
110	70	10	15
130	70	10	15
160	70	10	15
190	70	10	15
230	70	10	15
250	70	10	15

Material: A: Stainless steel A2
B: Steel, zinc-plated.
Surface: Plain



o486

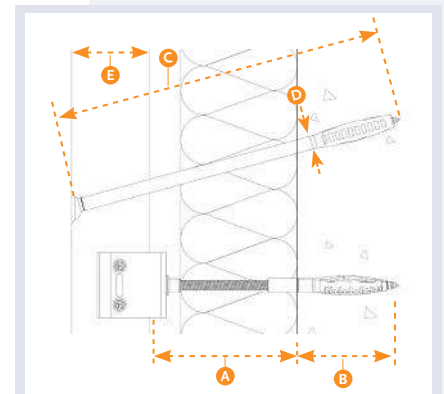
CONSTRUCTION STRUT PLUG

Brace anchor for absorption of own weight. It is used in combination with the 0506 CF Window concrete screw 7.5 x 302 VK TX30



A (MM)	B (MM)	C (MM)	D (MM)	E (MM)
100	70	185	10	15
120	70	205	10	15
150	70	235	10	15
180	70	265	10	15
220	70	305	10	15
240	70	350	10	15

Material: Steel, zinc-plated
Stainless steel A4 (316) (on request)
Surface: Plain



o652

INSTALLATION TOOL



Tool for the 0660.

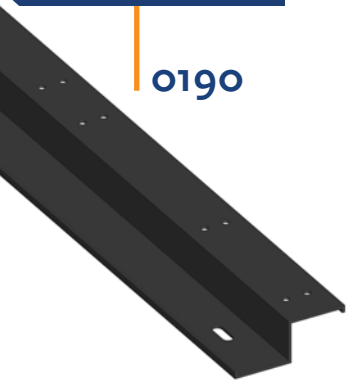
o674

INSTALLATION TOOL



Tool for the 0660 plug.

0190

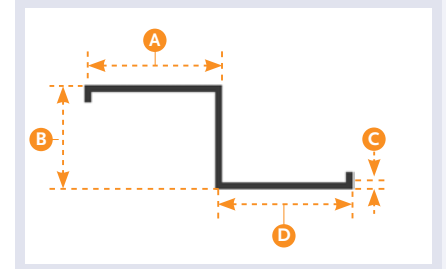


Z-PROFILE

Aluminium Z profiles.

A (MM)	B (MM)	C (MM)	D (MM)	L (MM)
25	15	2.0	25	6,000
25	20	2.0	25	6,000
40	30	2.0	40	6,000
40	50	2.0	40	3,000

Material: EN AW 6063 T66
 Surface: Plain
 Anodised, grey / black.



0191

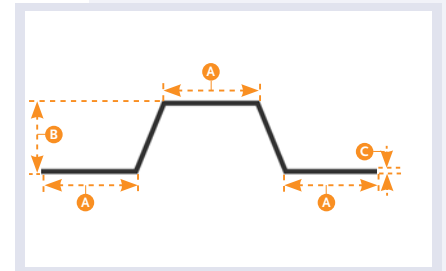


OMEGA-PROFILE

Aluminium omega profiles.

A (MM)	B (MM)	C (MM)	L (MM)
25	15	2.0	6,000
25	20	2.0	6,000
40	30	2.0	6,000
40	50	2.0	3,000

Material: EN AW 6063 T66
 Surface: Plain
 Anodised, grey / black.



0679



WEDGE

Installation plate for the 0486; 15 degree angle with countersunk hole.

Material: Nylon.

0577



CONTACT BREAKER WASHER

Seals, to prevent contact between anchor rods and profile

Material: Nylon.
 Surface: Plain



0576



CONTACT BREAKER WASHER

Seals, to prevent contact between anchor rods and profile

Material: Nylon.
 Surface: Plain

0515



NUT

Nut M8 with serrations, for anchor rod 0571

Material: Stainless steel A4 (316)
 Surface: Plain

