

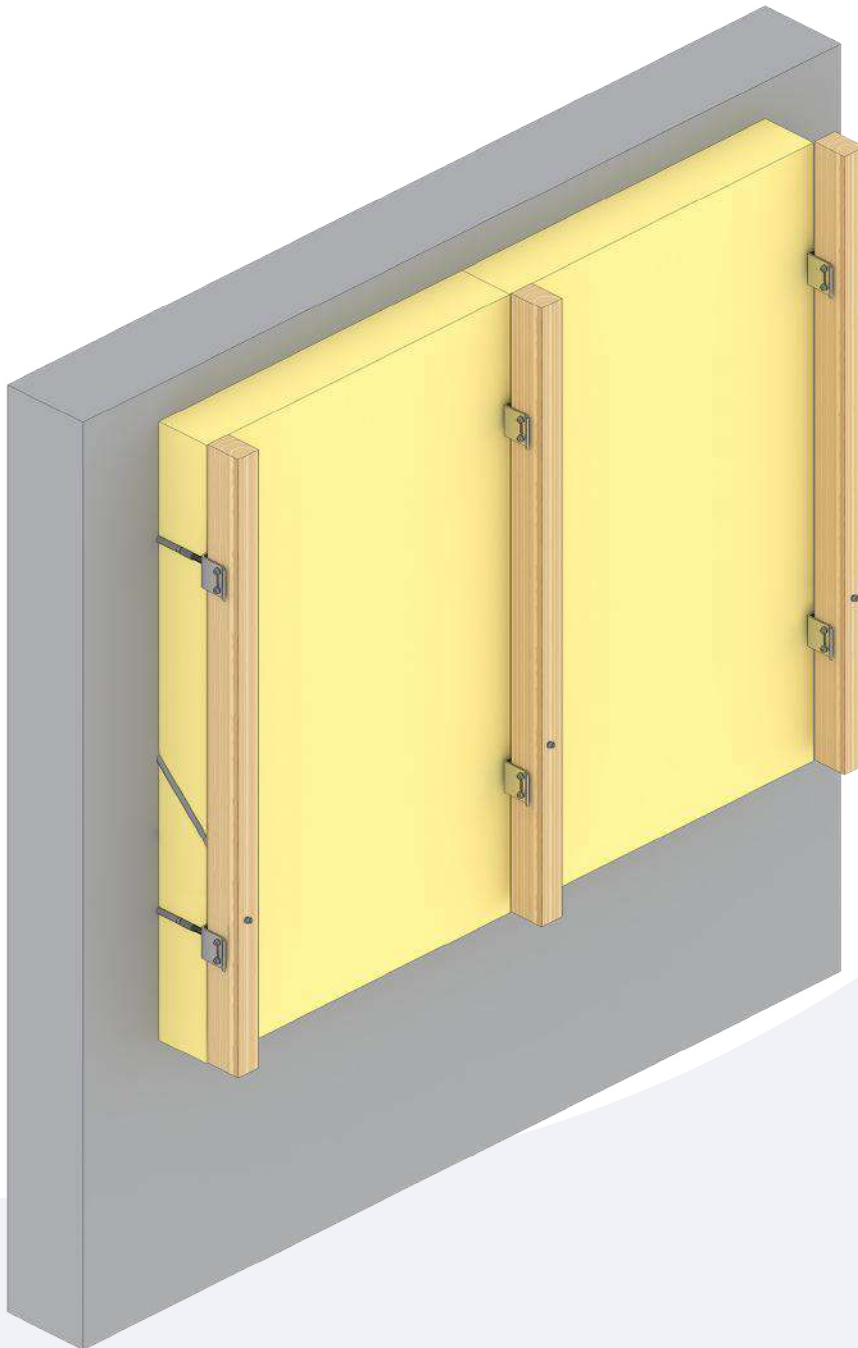
# CONSTRUCTION PRINCIPLE

## C 086

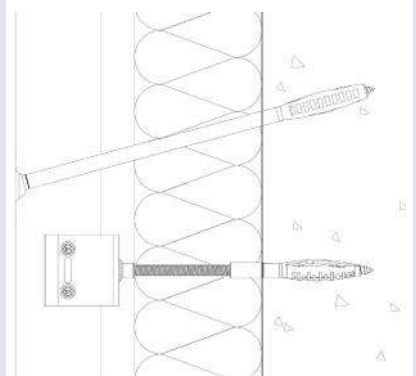
Construction principle with U-shaped wall brackets, stainless steel anchor rods, plugs and struts.

Features:

- Push-through installation
- Minimal thermal conductivity
- In combination with wooden battens or aluminium profiles.



### APPLICATION



## o643



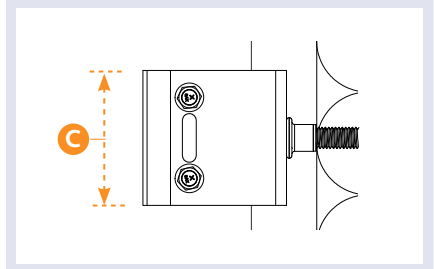
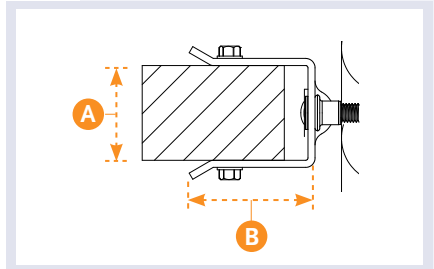
### U-BRACKET

U-bracket for mounting wooden/aluminium battens on construction anchor 0660.

A (MM)	B (MM)	C (MM)	D (MM)
40	50	60*	1.5
44*	60*		1.5
50	75		1.5
60			1.5
70			1.5
75			1.5
95			1.5

Material: Stainless steel A2  
Surface: Plain

\* standard



## o660/o664

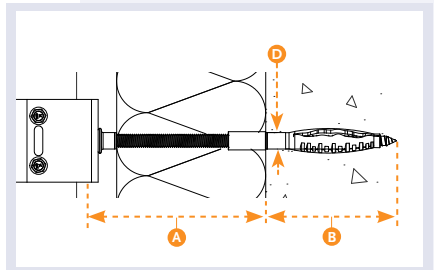


### CONSTRUCTION PLUG

Construction plug with Metric M8 metric thread.

A (MM)	B (MM)	D (MM)
110	70	10
130	70	10
160	70	10
190	70	10
230	70	10
250	70	10

Material: A: Stainless steel A2  
B: Steel, zinc-plated.  
Surface: Plain



## o486



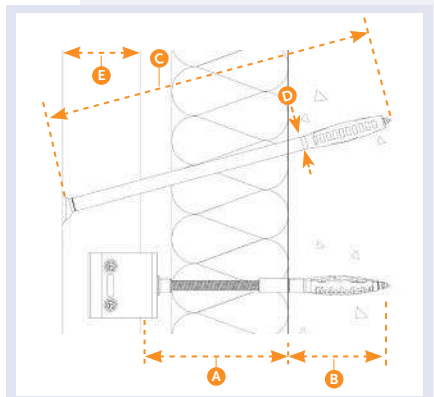
### CONSTRUCTION STRUT PLUG

Brace anchor for absorption of own weight. It is used in combination with the 0506 CF Window concrete screw 7.5 x 302 VK TX30

A (MM)	B (MM)	C* (MM)	D (MM)
100	70	235	10
120	70	255	10
150	70	285	10
180	70	315	10
220	70	355	10
240	70	400	10

\*If E= 40 mm.

Material: Steel, zinc-plated.  
Stainless A4 (316) (on request)  
Surface: Plain



0652

**INSTALLATION TOOL**

Tool for the 0660.



0674

**INSTALLATION TOOL**

Tool for the 0660 plug.

