

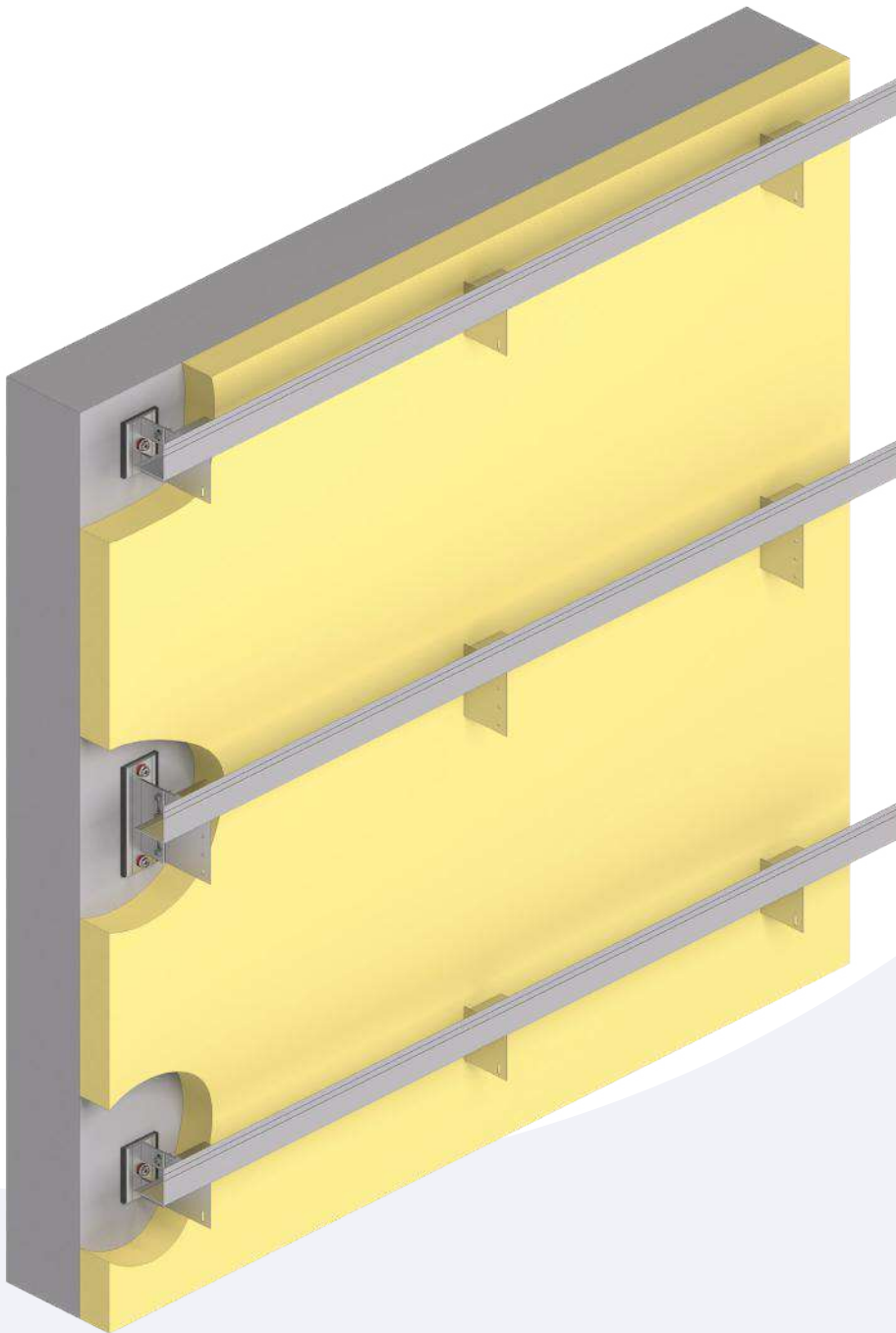
CONSTRUCTION PRINCIPLE

C 061

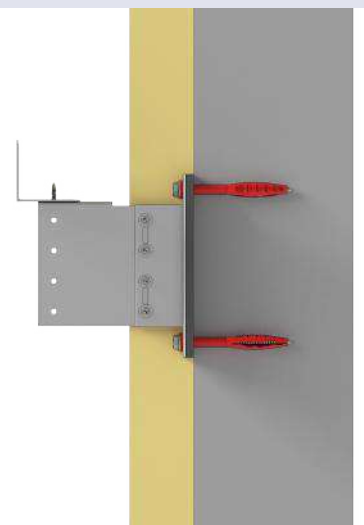
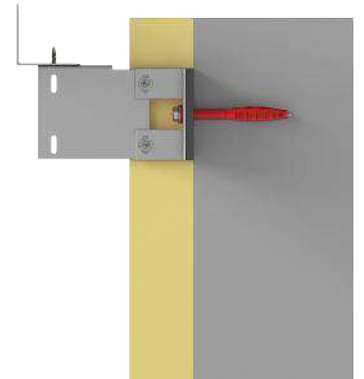
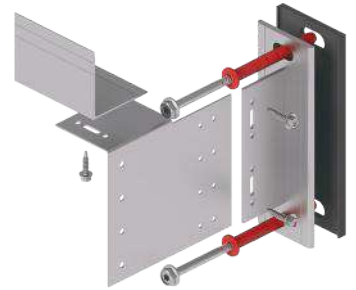
Construction principle for installing vertically-oriented facade cladding.

Features:

- Horizontal assembly of profiles, ideal as support for vertical facade panels.
- In combination with 0227 and 0251 profiles



APPLICATION



0234

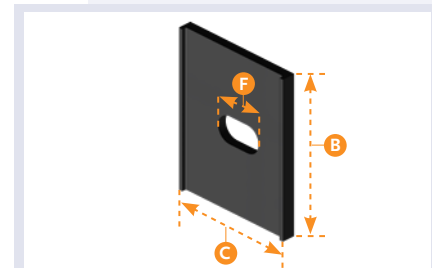


INSULATOR

Insulator for the fix brackets; thermal value 0.087 W/mK.

B (MM)	C (MM)	F (MM)
50	60	7 x 14 - 15 x 22
60	60	7 x 14 - 15 x 22
90	60	7 x 14 - 15 x 22
180	60	7 x 14 - 15 x 22

Material: Polymer foam plastic vinyl chloride
Surface: Smooth



0290-180

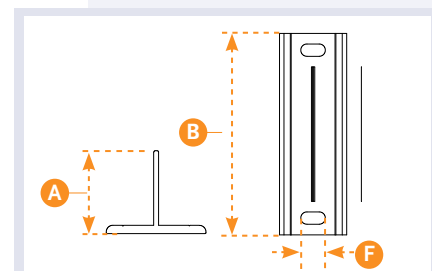


BRACKET FIX

Brackets, fix, centric attachment; can be combined with 0286 extension plates to enlarge the cavity (A dimension). Can be supplied with or without clip.

A (MM)	B (MM)	F (MM)
50	180	7 x 14 - 11 x 22
60	180	7 x 14 - 11 x 22
90	180	7 x 14 - 11 x 22

Material: Aluminium EN AW 6063 T66
Surface: Plain



0290-90

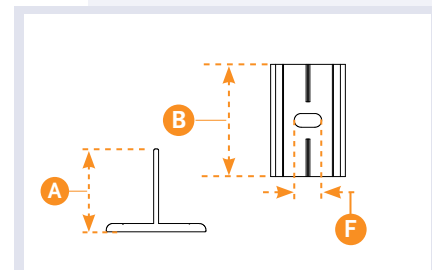


BRACKET SLIDE

Brackets, slide, centric attachment; can be combined with 0286 extension plates to enlarge the cavity (A dimension). Can be supplied with or without clip.

A (MM)	B (MM)	F (MM)
50	90	7 x 14 - 11 x 22
60	90	7 x 14 - 11 x 22
90	90	7 x 14 - 11 x 22

Material: Aluminium EN AW 6063 T66.
Surface: Plain



0482

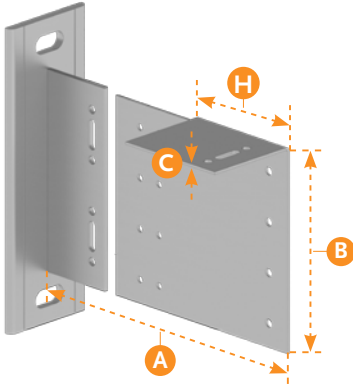


UNIVERSAL CONSTRUCTION PLUG

Nylon construction plug, with ETA approval.
Size: M10 x 80

Material: Stainless steel A4 / 316
Steel zinc-plated

0724 FIX

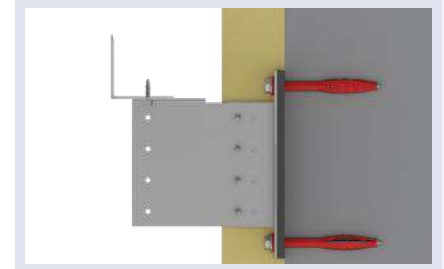


EXTENSION PLATE

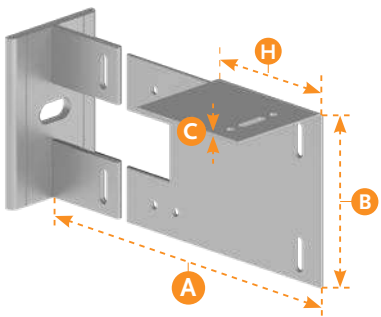
Extension plate for 0290 and 0295 (A50) brackets.

A (MM)	B (MM)	C (MM)	H (MM)
115	118	1,5	50
135	118	1,5	50
155	118	1,5	50
175	118	1,5	50
195	118	1,5	50
215	118	1,5	50
235	118	1,5	50
255	118	1,5	50
275	118	1,5	50
295	118	1,5	50
315	118	1,5	50

Material: Stainless steel A2 / 304
Surface: Plain



0724 SLIDE

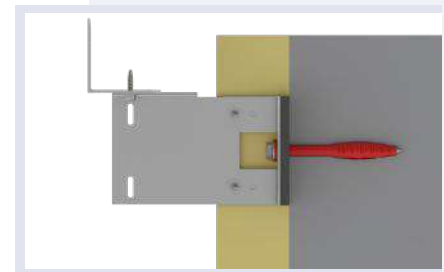


EXTENSION PLATE

Extension plate for 0290 and 0295 (A50) brackets.

A (MM)	B (MM)	C (MM)	H (MM)
115	88	1,5	50
135	88	1,5	50
155	88	1,5	50
175	88	1,5	50
195	88	1,5	50
215	88	1,5	50
235	88	1,5	50
255	88	1,5	50
275	88	1,5	50
295	88	1,5	50
315	88	1,5	50

Material: Stainless steel A2 / 304
Surface: Plain



0725



DRILLMATE

Drill screw for connecting profiles.
Available with or without washer.
Size: 5.5 x 24
Material: Stainless steel 316 (A4)

0312



DRILLMATE

Drill screw, e.g. suitable for mounting extension plate 0724 on bracket 0290
Size: 5.5 x 25
Material: Stainless steel A2 with steel drill point