

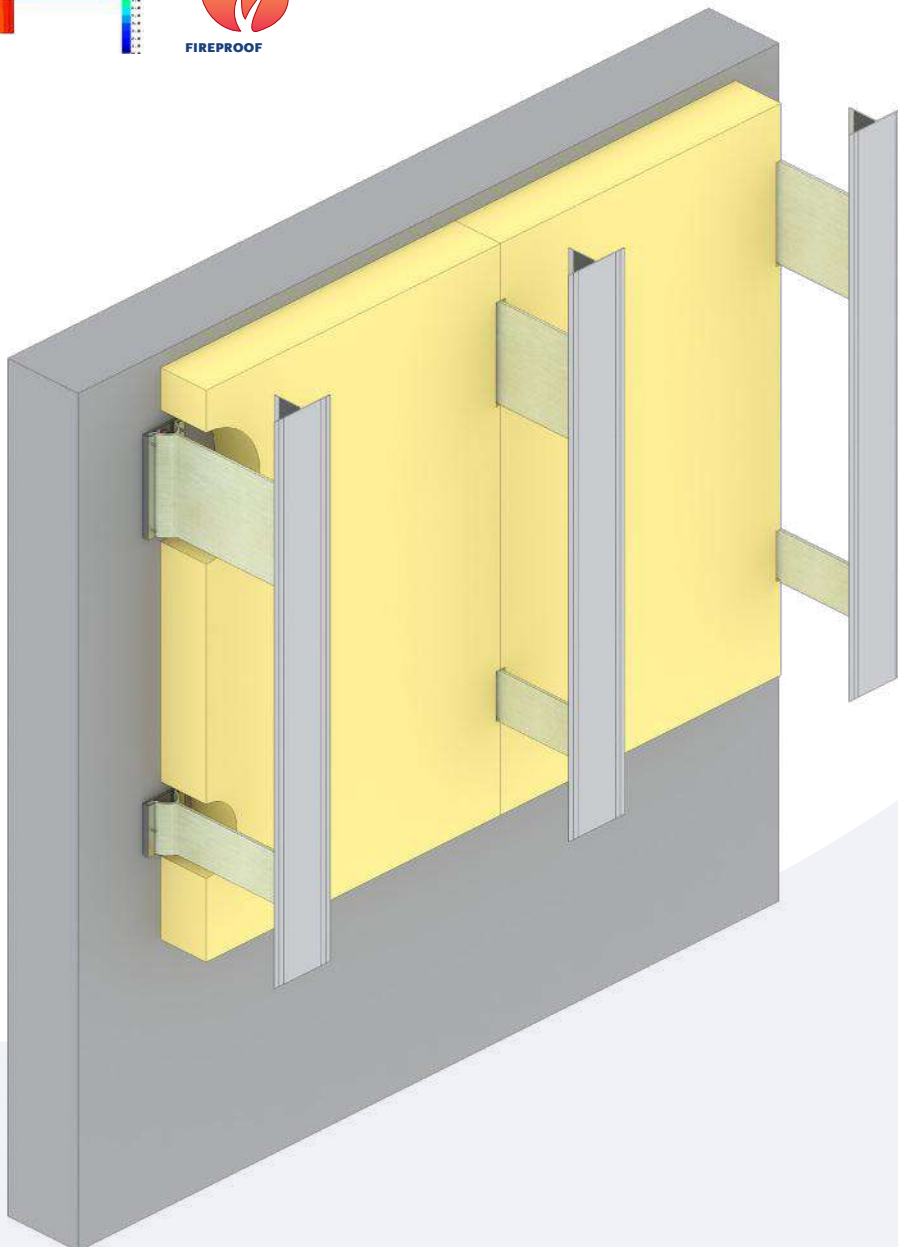
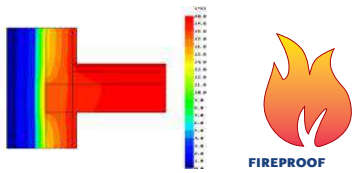
CONSTRUCTION PRINCIPLE

C 047

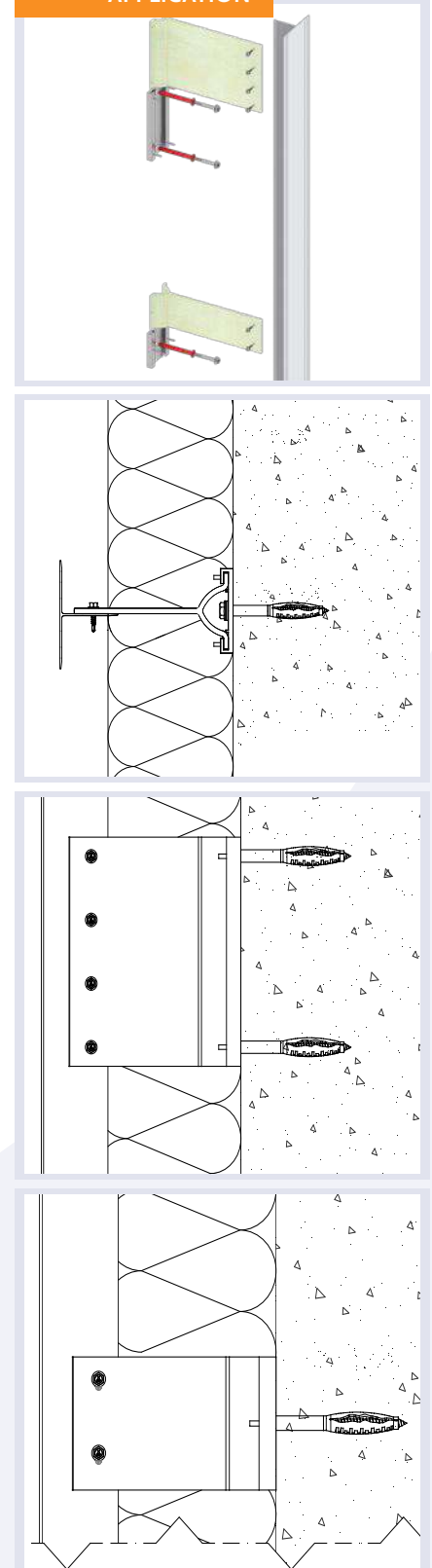
Construction principle with 0600 composite wall brackets.

Features:

- Reduction of thermal bridges due to composite material.
- Axial load to main structure is centric.
- Fire resistant.
- In combination with: 0227 / 0251



APPLICATION



0589

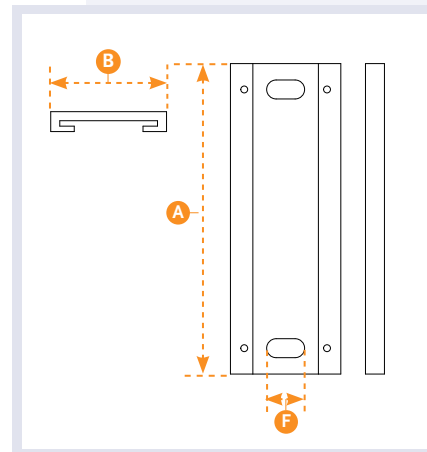


BASIC HOLDER

Basic holder for the 0600 Bracket.

A (MM)	B (MM)	F (MM)
178	65	11 x 22

Material: Aluminium EN AW 6063 T66.
Surface: Plain



0600-178

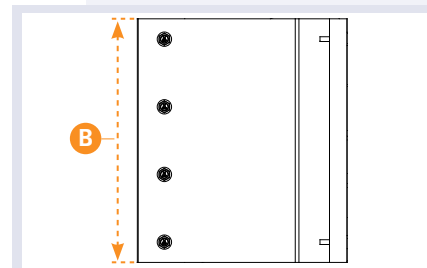
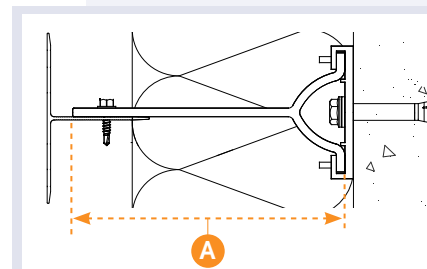


COMPOSITE BRACKET FIX

Specially developed brackets, with minimal thermal conductivity.

A (MM)	B (MM)
70	178
100	178
130	178
160	178
190	178
210	178
240	178
270	178
300	178

Material: Composite.
Surface: Smooth



0558



FIX POINT PIN

Pin to create an attachment point, in combination with 0590 and 0589.

Material: Stainless A2 (304)
Surface: Plain

0482



UNIVERSAL CONSTRUCTION PLUG

Nylon construction plug, with ETA approval.
Size: M10 x 80

Material: Stainless steel A4 / 316
Steel zinc-plated

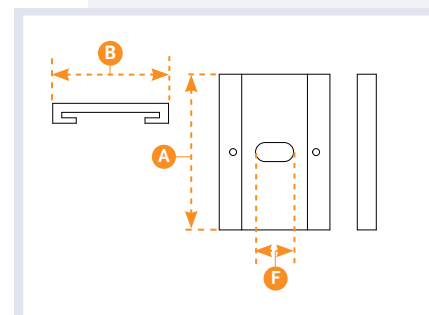
0589

**BASIC HOLDER**

Basic holder for the 0600 bracket.

A (MM)	B (MM)	F (MM)
60	65	11 x 22

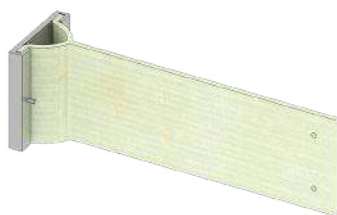
Material: Aluminium EN AW 6063 T66.
Surface: Plain



0600-60

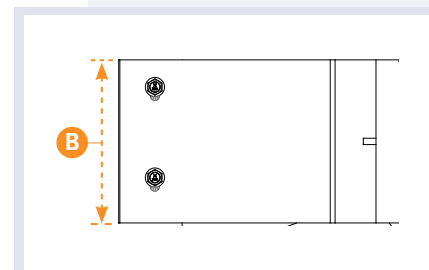
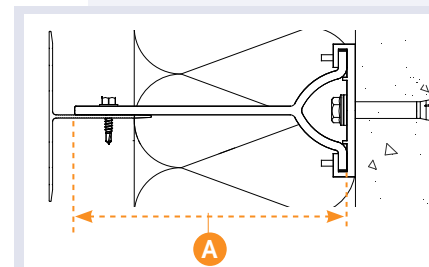
COMPOSITE BRACKET SLIDE

Composite brackets, slide. Specially developed brackets, with minimal thermal conductivity.



A (MM)	B (MM)
70	60
100	60
130	60
160	60
190	60
210	60
240	60
270	60
300	60

Material: Composite.
Surface: Smooth



0558

**SLIDE POINT PIN**

Pin to create an attachment point, in combination with 0590 and 0589.

Material: Plastic.
Surface: Plain

0482

**UNIVERSAL CONSTRUCTION PLUG**Nylon construction plug, with ETA approval.
Size: M10 x 80

Material: Stainless steel A4 / 316
Steel zinc-plated